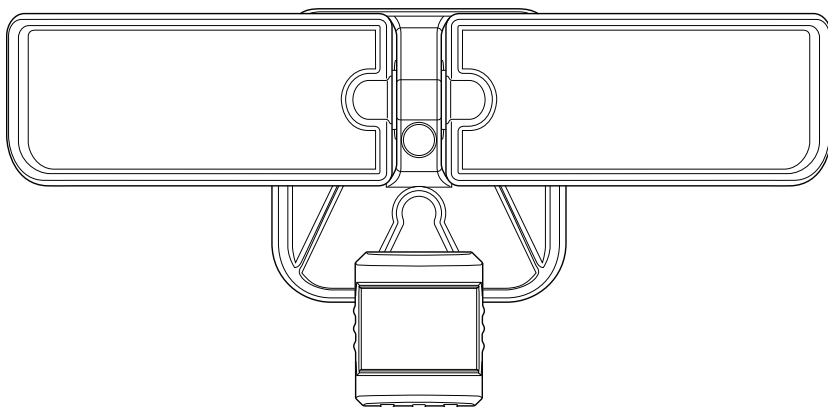


DEFIANT®

Item #1000785559
1000820130
Model #CD-5928-WH-A
CD-5928-BZ-A

USE AND CARE GUIDE

MOTION SECURITY LIGHT



Questions, problems, missing parts? Before returning to the store,
call Defiant Customer Service
8 a.m. - 6 p.m., EST, Monday - Friday

1-866-308-3976

HOMEDEPOT.COM

THANK YOU

We appreciate the trust and confidence you have placed in Defiant through the purchase of this motion security light. We strive to continually create quality products designed to enhance your home. Visit us online to see our full line of products available for your home improvement needs. Thank you for choosing Defiant!

Table of Contents

Table of Contents	2	Tools Required	3
Safety Information	2	Hardware Included	4
Warranty	2	Package Contents	4
5-Year Limited Warranty	2	Installation	5
Pre-Installation	3	Operation	7
Planning Installation	3	Care and Cleaning	10
Specifications	3	Troubleshooting	10

Safety Information

PRECAUTIONS

- Please read and understand this entire manual before attempting to assemble, install, or operate this light fixture.
- This light fixture requires a 120-Volt AC power source.
- Some codes require installation by a qualified electrician.
- This light fixture must be properly grounded.
- This light fixture should be installed outdoors to a wall or eave.
- The light fixture should be mounted approximately 8 ft. (2.4 m) above the ground. If the light fixture is mounted higher than recommended, aiming the sensor down will reduce the coverage area.
- CAN ICES-3 (B)/NMB-3(B)



WARNING: Turn the power off at the circuit breaker or fuse. Place tape over the circuit breaker switch and verify power is off at the light fixture.



WARNING: Risk of fire. Keep the lamp heads at least 2 in. (51 mm) from combustible materials.



CAUTION: To avoid water damage and the risk of electrical shock, the motion sensor controls must be facing the ground when the installation is complete.



CAUTION: Burn hazard. Allow the light fixture to cool before touching.



NOTICE: Do not connect this light fixture to a dimmer switch or timer.

- This device complies with Part 15 of the FCC Rules. Operation is subject to the following two conditions: (1) this device may not cause harmful interference, and (2) this device must accept any interference received, including interference that may cause undesired operation.

Warranty

5-YEAR LIMITED WARRANTY

WHAT IS COVERED

This product is guaranteed to be free of factory defective parts and workmanship for a period of 5 years from date of purchase. Purchase receipt is required for all warranty claims.

WHAT IS NOT COVERED

This guarantee does not include repair service, adjustment and calibration due to misuse, abuse or negligence, or LEDs. Unauthorized service or modification of the product or of any furnished component will void this warranty in its entirety. This warranty does not include reimbursement for inconvenience, installation, setup time, loss of use, unauthorized service, or return shipping charges. This warranty is not extended to other equipment and components that a customer uses in conjunction with this product.

Contact the Customer Service Team at 1-866-308-3976 or visit www.homedepot.com.

Pre-Installation

PLANNING INSTALLATION

Before installing the light fixture, ensure that all parts are present. Compare parts with the *Hardware Included* and *Package Contents* sections. If any part is missing or damaged, do not attempt to assemble, install, or operate this light fixture.

Estimated installation time: 30 minutes

SPECIFICATIONS

Range	Up to 70 ft. (21.3 m) (Varies with surrounding temperature)
Sensing angle	Up to 180°
Electrical load - LED	30 Watts
Lumens	2300
Power requirements	120 VAC, 60 Hz
Operating modes	Test, Motion activated, Manual
Time delay	1, 5, 20 minutes
DualBrite timer	Off, 3 hours, 6 hours, dusk-to-dawn

TOOLS REQUIRED



Phillips screwdriver



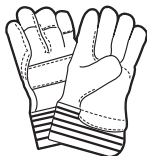
1/8 in. Flathead screwdriver



Wire strippers/cutters



Circuit tester



Work gloves



Silicone sealant



Ladder

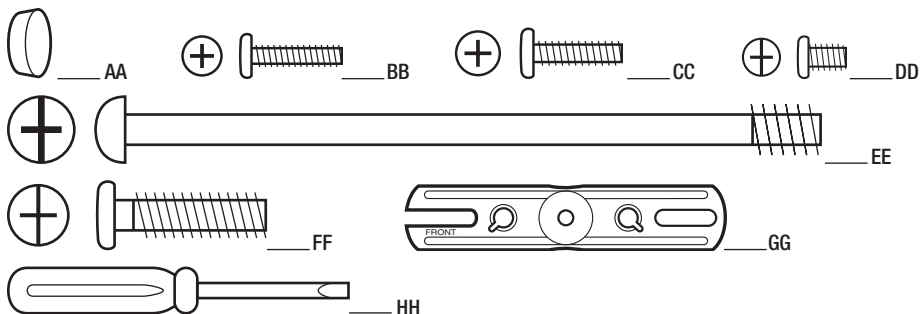


Safety goggles

Pre-Installation (continued)

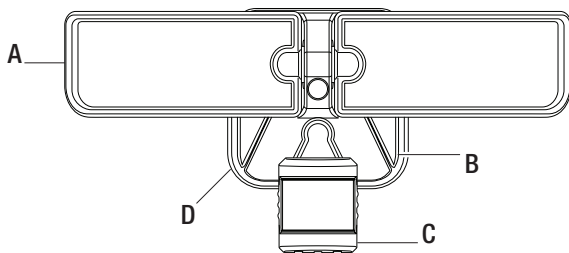
HARDWARE INCLUDED

 **NOTE:** Hardware shown to actual size.



Part	Description	Quantity
AA	Plastic plug	1
BB	Mounting bracket screw	2
CC	Mounting bracket screw	2
DD	Mounting bracket screw	2
EE	Large mounting bolt (pre-installed)	1
FF	Small mounting bolt	1
GG	Mounting bracket (not to scale)	1
HH	Mini screwdriver	1

PACKAGE CONTENTS



Part	Description	Quantity
A	Lamp head	2
B	Light fixture	1
C	Motion sensor	1
D	1-2-Easy Connect™	1

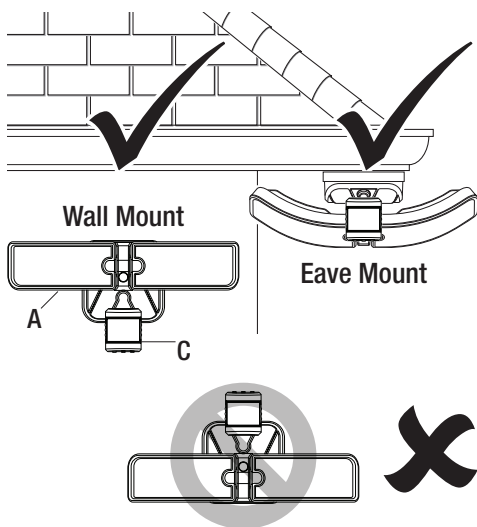
Installation

1 Determining the mounting location



NOTE: The light fixture should be mounted approximately 8 ft. (2.4 m) above the ground. If the light fixture is mounted higher than recommended, aiming the sensor down will reduce the coverage area.

- Determine the mounting location – a wall or under an eave.
- Position the lamp heads (A) in the general direction of the desired light coverage.
- If needed, rotate the motion sensor (C) so the controls face the ground after installation.



2 Removing the 1-2-Easy Connect™



NOTE: This fixture comes with a 1-2-Easy Connect™ (D). It is pre-assembled on the light fixture (B) for shipping.

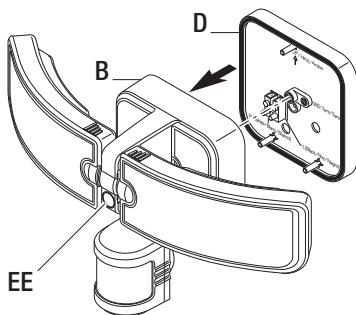


NOTE: The large mounting bolt (EE) is pre-installed in the light fixture (B). Do not attempt to remove the large mounting bolt (EE).

- Unscrew the large mounting bolt (EE) connecting the light fixture (B) to the 1-2-Easy Connect™ (D) and remove the 1-2-Easy Connect™ (D).



NOTE: A rubber gasket is pre-installed in the 1-2-Easy Connect™. Gasket is shown as black in illustrations for clarity.



3 Installing the mounting bracket

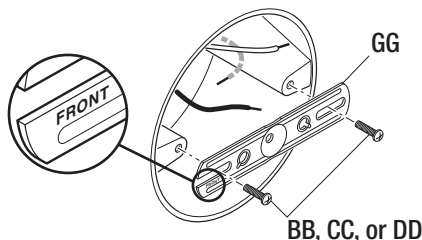


WARNING: Turn the power off at the circuit breaker or fuse. Place tape over the circuit breaker switch and verify power is off at the light fixture.



NOTE: Six mounting bracket screws of various sizes are included. The installation will only require two. Discard the unused mounting bracket screws after installation.

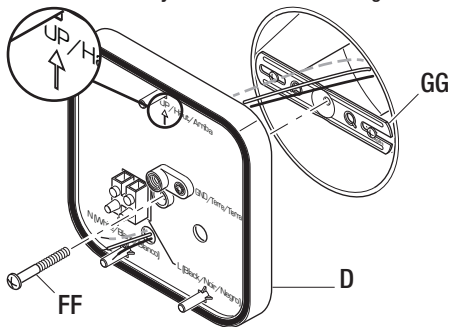
- Remove the existing light fixture.
- Install the mounting bracket (GG) with the stamped word “FRONT” facing away from the junction box. Use the mounting bracket screws (BB, CC, or DD) that best fit the junction box.
- Firmly pull on the mounting bracket to verify it is securely mounted to the junction box. If necessary, use the screws that were removed from the existing light fixture.



Installation (continued)

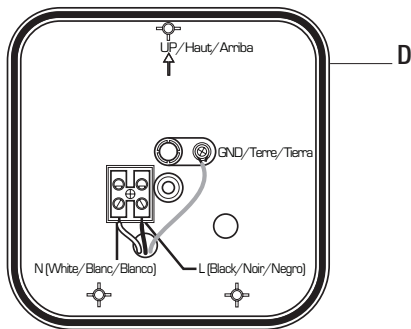
4 Installing the 1-2-Easy Connect™

- Route the junction box wires through a hole in the 1-2-Easy Connect™ (D).
- Place the 1-2-Easy Connect™ (D) against the junction box.
 - When mounting to a wall, the “UP” arrow must point upward.
 - When mounting to an eave, the “UP” arrow must point toward the building.
- Insert the small mounting bolt (FF) through the 1-2-Easy Connect™ (D) hole located below the threaded hole, and thread it into the center hole of the mounting bracket (GG). Tighten the bolt (FF) securely.
- Firmly pull on the 1-2-Easy Connect™ to verify it is securely attached to the mounting bracket.



5 Making the electrical connections

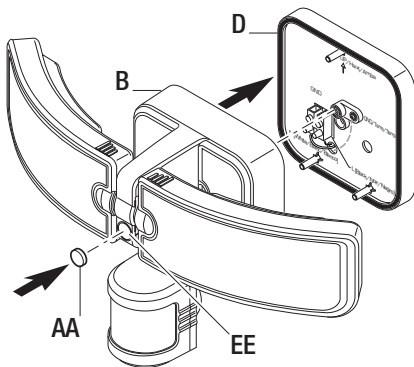
- Insert the junction box wires into the side of the terminal block and around the ground screw. Tighten terminal block screws using the mini-screwdriver (HH) and ground screw to secure the wires.
- Insert the white wire from the junction box into the terminal marked “N (White)”.
- Insert the black wire from the junction box into the terminal marked “L (Black)”.
- Connect the bare or green ground wire from the junction box to the ground screw (marked with “GND”).



6 Mounting the light fixture

NOTICE: The two pins on the rear of the light fixture must be inserted into the terminal block for the light to work.

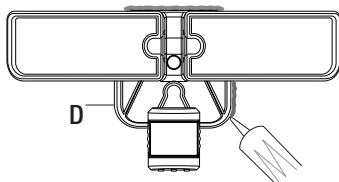
- Verify the rubber gasket is properly seated around the edge of the 1-2-Easy Connect™ (D).
- Align the bottom edge of the light fixture (B) with the bottom edge of the 1-2-Easy Connect™ (D). Tilt the light fixture (B) toward the 1-2-Easy Connect™ (D), making sure the light fixture (B) is centered on the 1-2-Easy Connect™ (D).
- Tighten the large mounting bolt (EE) securely through the center of the 1-2-Easy Connect™ (D). Do not overtighten.
- Push the plastic plug (AA) firmly into the mounting bolt hole on the light fixture (B).



Installation (continued)

7 Caulking around the light fixture

- Caulk around the 1-2-Easy Connect™ (D) and mounting surface with silicone sealant (not included).



Operation

1 Adjusting the lamp heads



WARNING: Risk of fire. Keep the lamp heads at least 2 in. (51 mm) from combustible materials.

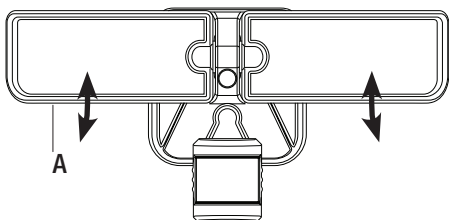


CAUTION: Keep lamp heads 30° below horizontal to avoid water damage and electrical shock.

- Turn the power on at the circuit breaker or fuse and turn on the wall switch.
- If needed, gently grasp the lamp heads (A) and tilt them up or down to adjust the light coverage area.



NOTE: The lamp heads are designed to rotate up and down only. Do not attempt to rotate any other direction.

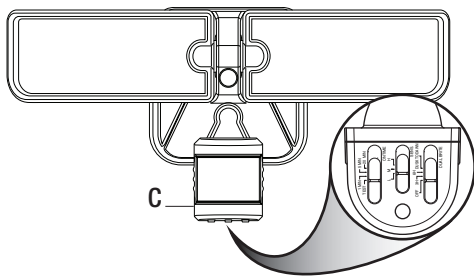


2 Rotating the sensor controls downward



CAUTION: To avoid water damage and risk of electrical shock, the motion sensor controls must be facing the ground when installation is complete.

- Rotate the motion sensor (C) so the controls face toward the ground.



Operation (continued)

3 Setting the sensor for testing

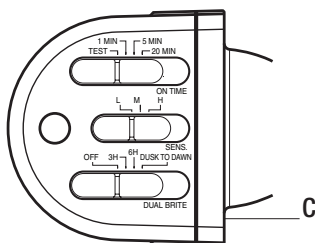


NOTE: When the “ON-TIME” switch is set to the “TEST” position, the light fixture will operate during the day or night. The light will stay on for 8 seconds after all motion is stopped.

- Set the “ON-TIME” switch to the “TEST” position.
- Set the “DUALBRITE” switch to the “OFF” position.
- Slide the “SENS” switch to the “LO” position.

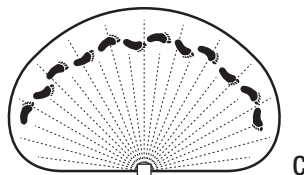


NOTE: The motion sensor will need to completely warm up (60 seconds) before beginning the setup process.



4 Adjusting the motion sensor detection zone

- Perform a “walk test”: walk in an arc across the front of the motion sensor (C).
- Watch the light. The light will come on and the red LED will flash indicating motion has been detected.
- Stop, wait for the light to turn off, and then begin walking again.
- Continue this process until the detection zone has been established.
- If needed, gently grasp the motion sensor (C) and move it from side to side or up and down to adjust the detection zone.



5 Adjusting the SENS switch

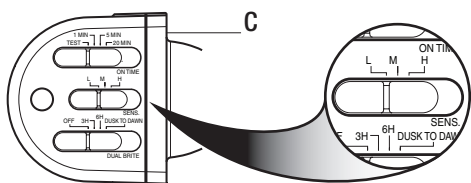
- To increase the detection zone, slide the “SENS” switch toward the “HI” position.
- To decrease the detection zone, slide the “SENS” switch toward the “LO” position.



NOTE: The motion sensor (C) is more sensitive to motion moving across the front of the sensor. The motion sensor (C) is less sensitive to motion moving directly toward the front of the sensor.



NOTE: The higher the “SENS” setting (sensitivity), the greater the possibility of false triggering. To reduce false triggering, slide the “SENS” switch toward the “LO” setting.

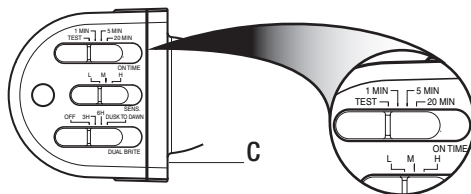


6 Adjusting the ON-TIME switch



NOTE: The “ON-TIME” switch determines the amount of time the light will stay on full bright after all motion has stopped.

- Set the “ON-TIME” switch to the 1, 5, or 20 minute position.

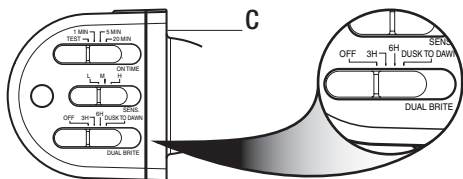


7 Adjusting the DUALBRITE switch



NOTE: The “DUALBRITE” switch determines the amount of time the lights stay on at an accent level after sundown. Switching this setting to “OFF” will not affect the “ON-TIME” setting.

- Set the “DUALBRITE” switch to OFF, 3 hours, 6 hours, or dusk-to-dawn (sunset to sunrise).



8 Using manual mode

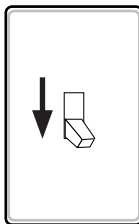


NOTE: Manual mode overrides the motion sensor (C) and “ON-TIME” control so the light will operate full bright. This feature only works at night and only for one night at a time. The motion sensor (C) will reset to motion sensing mode after 6 hours or sunrise, whichever comes first. Manual mode can be toggled on and off using a wall switch.

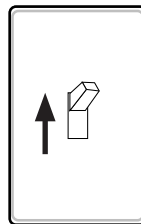
- To turn manual mode on, switch the light off at the wall switch for 1 to 3 seconds and then back on.
- To turn manual mode off, switch the light off at the wall switch for 1 to 3 seconds and then back on.



NOTE: If the power to the light fixture is off for more than 5 seconds, allow the motion sensor to warm up prior to switching to manual mode.



Turn the switch
OFF for 1 to 3
seconds



Turn the
switch
back ON

Care and Cleaning

- To prolong the original appearance, clean the light fixture with clear water and a soft, damp cloth only.
- Do not use paints, solvents, or other chemicals on this light fixture. They could cause a premature deterioration of the finish. This is not a defect in the finish and will not be covered by the warranty.
- Do not spray the light fixture with a hose or power washer.

Troubleshooting

Problem	Possible Cause	Solution
The light will not come on.	<ul style="list-style-type: none"> □ The light switch is turned off. □ The fuse is blown or the circuit breaker is turned off. □ Daylight turn-off (photocell) is in effect. □ The circuit wiring is incorrect (if this is a new installation). □ The motion sensor is aimed in the wrong direction. □ The outside air temperature is close to the same as a person's body heat. 	<ul style="list-style-type: none"> □ Turn the light switch on. □ Replace the fuse or turn the circuit breaker on. □ Recheck after dark. □ Verify the wiring is correct. □ Re-aim the motion sensor to cover the desired area. □ Increase the "SENS" setting.
The light comes on during the day.	<ul style="list-style-type: none"> □ The motion sensor may be installed in a relatively dark location. □ The "ON-TIME" switch is in the "TEST" position. 	<ul style="list-style-type: none"> □ The light fixture is operating normally under these circumstances. □ Set the "ON-TIME" switch to the 1, 5, or 20 minute setting.
The light comes on for no apparent reason.	<ul style="list-style-type: none"> □ The motion sensor may be sensing small animals or automobile traffic. □ The "SENS" switch is set too high. □ The "DUALBRITE" switch is in the 3 hour, 6 hour, or dusk-to-dawn setting. □ The outside temperature is much warmer or cooler than a person's body heat (summer or winter). □ The light fixture is wired through a dimmer or timer. 	<ul style="list-style-type: none"> □ Decrease the "SENS" setting or reposition the motion sensor. □ Decrease the "SENS" setting. □ The light fixture is operating normally under these circumstances. □ Decrease the "SENS" setting. □ Do not use a dimmer or timer to control the light fixture. Replace the dimmer or timer with a standard on/off wall switch.
The lights turn off too late in the Dusk-to-Dawn setting.	<ul style="list-style-type: none"> □ The light fixture may be installed in a relatively dark location. 	<ul style="list-style-type: none"> □ Relocate the light fixture or use the 3 hour or 6 hour setting.

Troubleshooting (continued)

Problem	Possible Cause	Solution
The lights stay on continuously.	<ul style="list-style-type: none"> <li data-bbox="346 164 713 261">□ The motion sensor may be picking up a heat source, such as an air vent, dryer vent, or brightly painted, heat-reflective surface. <li data-bbox="346 277 713 302">□ The motion sensor is in manual mode. <li data-bbox="346 367 713 415">□ The light fixture is wired through a dimmer or timer. <li data-bbox="346 496 713 578">□ The light fixture is on the same circuit as a motor, transformer, or fluorescent bulb. 	<ul style="list-style-type: none"> <li data-bbox="735 164 1000 237">□ Decrease the “SENS” setting or reposition the motion sensor. <li data-bbox="735 277 1000 350">□ Switch the motion sensor to auto. See <i>Using manual mode</i> on page 9. <li data-bbox="735 367 1000 488">□ Do not use a dimmer or timer to control the light fixture. Replace the dimmer or timer with a standard on/off wall switch. <li data-bbox="735 505 1000 594">□ Install the light fixture on a circuit without motors, transformers, or fluorescent bulbs.
The lights flash on and off.	<ul style="list-style-type: none"> <li data-bbox="346 618 713 667">□ Heat or light from the bulbs may be turning the motion sensor on and off. <li data-bbox="346 699 713 781">□ Heat is being reflected from other objects and may be turning the motion sensor on and off. <li data-bbox="346 797 713 846">□ The motion sensor is in “TEST” mode and warming up. 	<ul style="list-style-type: none"> <li data-bbox="735 618 1000 691">□ Reposition the lamp heads away from the motion sensor. <li data-bbox="735 708 1000 781">□ Decrease the “SENS” setting or reposition the motion sensor. <li data-bbox="735 797 1000 911">□ While in “TEST” mode, the light only stays on for 8 seconds. Set the “ON-TIME” switch to 1, 5, or 20 minutes.
The lights flash once then stay off in manual mode.	<ul style="list-style-type: none"> <li data-bbox="346 927 713 976">□ The motion sensor is detecting light from the lamp heads. 	<ul style="list-style-type: none"> <li data-bbox="735 927 1000 1024">□ Reposition the lamp heads to keep the area below the motion sensor relatively dark.

DEFIANT®

Questions, problems, missing parts? Before returning to the store,
call Defiant Customer Service
8 a.m.-6 p.m., EST, Monday-Friday

1-866-308-3976

HOMEDEPOT.COM

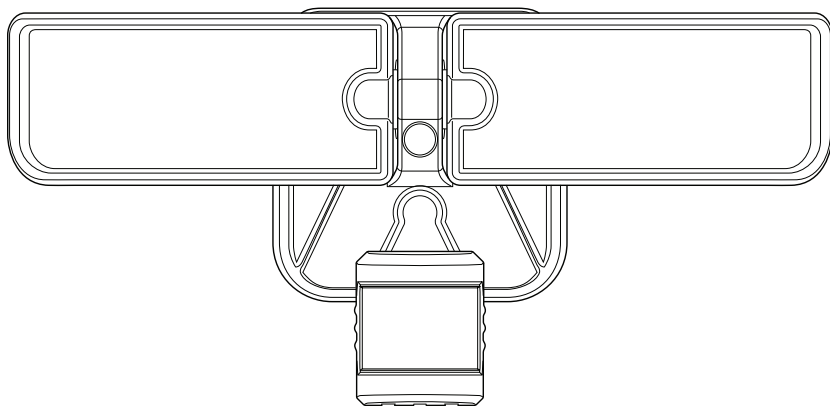
Retain this manual for future use.

DEFIANT®

Article #1000785559
1000820130
Modèle #CD-5928-WH-A
CD-5928-BZ-A

GUIDE D'UTILISATION ET D'ENTRETIEN

ÉCLAIRAGE DE SÉCURITÉ À DÉTECTEUR DE MOUVEMENT



Questions, problèmes, pièces manquantes? Avant de retourner au magasin,
appelez le service à la clientèle Defiant
Du lundi au vendredi, de 8 h à 18 h, HE

1-866-308-3976

HOMEDEPOT.COM

Merci!

Nous apprécions que vous ayez fait confiance à Defiant en achetant ce luminaire de sécurité à détecteur de mouvement. Nous nous efforçons continuellement de créer des produits de qualité qui amélioreront votre résidence. Visitez-nous en ligne pour la gamme complète de nos produits destinés à répondre à vos besoins d'amélioration résidentielle. Merci d'avoir choisi Defiant!

Table des matières

Table des matières	14	Outils Nécessaires	15
Renseignements de sécurité.....	14	Quincaillerie Fournie.....	16
Garantie.....	14	Contenu de L'Emballage.....	16
Garantie limitée de 5 ans.....	14	Installation.....	17
Avant l'installation.....	15	Utilisation.....	19
Planification de L'Installation	15	Entretien et nettoyage.....	22
Caractéristiques.....	15	Dépannage.....	22

Renseignements de sécurité

PRÉCAUTIONS

- Assurez-vous de lire et de comprendre ce guide en entier avant de tenter l'assemblage, l'installation ou l'utilisation de ce luminaire.
- Ce luminaire exige une source d'alimentation de 120 volts c.a.
- Certains codes exigent que l'alimentation soit confiée à un électricien qualifié.
- Ce luminaire doit être correctement mis à la terre.
- Pour fonctionner correctement, ce luminaire devrait être fixé :
- Ce luminaire devrait être installé à l'extérieur, au mur ou sous l'avant-toit.
- Ce luminaire devrait être installé à environ 8 pi (2,4 m) au-dessus du sol. Si le luminaire est installé à une hauteur supérieure à celle recommandée, la zone de couverture sera réduite au moment d'orienter le capteur vers le bas.
- CAN ICES-3 (B)/NMB-3(B)
- Cet appareil est conforme aux exigences de la Partie 15 des Règles du FCC. Son utilisation est assujettie aux deux conditions suivantes : (1) cet appareil ne doit pas causer d'interférence nocive; (2) cet appareil doit accepter les interférences, y compris celles qui peuvent causer un fonctionnement non désiré.



AVERTISSEMENT : Coupez l'alimentation du circuit au niveau du disjoncteur ou du fusible. Apposez du ruban adhésif sur le disjoncteur et assurez-vous qu'il n'y a pas de courant au luminaire.



AVERTISSEMENT : Risque d'incendie. Assurez-vous d'avoir au moins 2 po (51 mm) entre les lampes et toute matière combustible.



ATTENTION : Pour éviter les dommages par l'eau et les risques de choc, les commandes du détecteur de mouvement doivent faire face au sol une fois l'installation terminée.



ATTENTION : Danger de brûlure. Laissez refroidir le luminaire avant d'y toucher.



AVIS : Ne raccordez pas ce luminaire à un interrupteur gradateur ni à une minuterie.

Garantie

GARANTIE LIMITÉE DE 5 ANS

CE QUI EST GARANTI

Ce produit est garanti contre tout défaut touchant les pièces installées en usine ou la fabrication pendant cinq ans à compter de la date d'achat. Un reçu d'achat est exigé pour toute réclamation en vertu de la garantie.

CE QUI N'EST PAS GARANTI

Cette garantie ne comprend pas les services de réparation, de réglage ou d'étalonnage des DEL découlant d'un mauvais usage, d'un usage abusif, d'une négligence. Tout entretien ou modification non autorisée du produit ou des éléments fournis annule complètement la présente garantie. Cette garantie ne comprend pas le remboursement des frais liés aux inconvénients, à l'installation, au réglage, à la perte d'utilisation, à l'entretien non autorisé ni au retour de l'appareil. Cette garantie ne protège pas les composantes ni les autres appareils utilisés conjointement à ce produit.

Communiquez avec l'équipe du service à la clientèle au 1 866 308-3976 ou visitez www.homedepot.com.

Avant l'installation

PLANIFICATION DE L'INSTALLATION

Assurez-vous d'avoir toutes les pièces avant d'installer ce luminaire. Comparez les pièces à ce qui est indiqué dans les sections *Quincaillerie fournie* et *Contenu de l'emballage*. S'il manque des pièces ou que l'une d'entre elles est endommagée, ne tentez pas d'assembler, d'installer ou d'utiliser ce luminaire.

Durée estimative de l'installation : 30 minutes

CARACTÉRISTIQUES

Portée	Jusqu'à 70 pi (21,3 m) (Varie selon la température ambiante)
Angle de détection	Jusqu'à 180 °
Charge électrique - DEL	30 Watts
Lumens	2300
Alimentation	120 V c.a., 60 Hz
Modes de fonctionnement	Test, Décl. par mouv. , Manuel
Minuterie	1, 5, 20 minutes
Minuterie DualBrite	Arrêt, 3 heures, 6 heures, nocturne automatique

OUTILS NÉCESSAIRES



Tournevis à pointe cruciforme



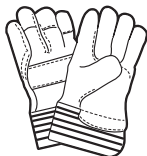
1/8 po
Tournevis à
lame droite



Pince à
dénuder/ à
couper



Multimètre



Gants de travail



Scellant
d'étanchéité
au silicone



Échelle



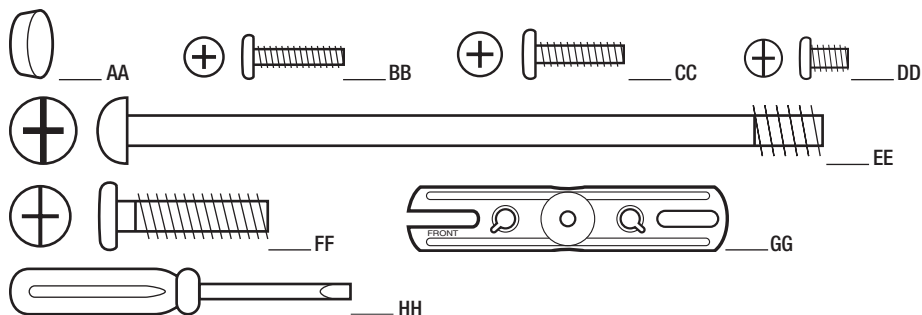
Lunettes de
sécurité

Avant l'installation (suite)

QUINCAILLERIE FOURNIE

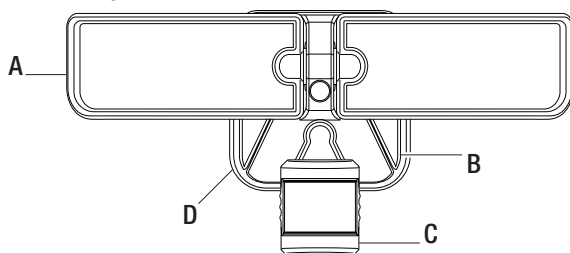


REMARQUE : Matériel illustré à la taille réelle.



Pièce	Description	Quantité
AA	Bouchon de plastique	1
BB	Vis de support de montage	2
CC	Vis de support de montage	2
DD	Vis de support de montage	2
EE	Grand boulon de montage (pré-installé)	1
FF	Petit boulon de montage	1
GG	Support de montage (pas à la taille réelle)	1
HH	Petit tournevis	1

CONTENU DE L'EMBALLAGE



Pièce	Description	Quantité
A	Projecteur	2
B	Luminaire	1
C	Détecteur de mouvement	1
D	Plaque 1-2-Easy Connect ^{MC} (à branchement rapide)	1

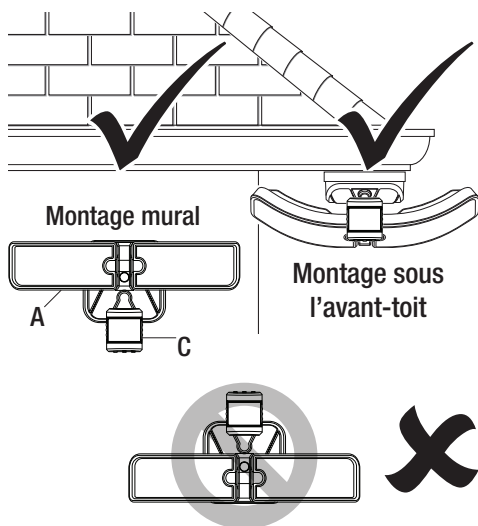
Installation

1 Détermination du lieu de l'installation



REMARQUE : Ce luminaire devrait être installé à environ 8 pi (2,4 m) au-dessus du sol. Si le luminaire est installé à une hauteur supérieure à celle recommandée, la zone de couverture sera réduite au moment d'orienter le capteur vers le bas.

- Déterminez l'endroit d'installation – au mur ou sous l'avant-toit.
- Orientez les projecteurs (A) dans la direction générale de la zone à éclairer.
- Au besoin, faites pivoter le détecteur de mouvement (C), de sorte que les commandes soient placées face au sol après l'installation.



2 Retrait de la plaque 1-2-Easy Connect^{MC}



REMARQUE : Ce luminaire comporte une plaque 1-2-Easy Connect^{MC} (D). Cette dernière est fixée au luminaire (B) pour l'expédition.

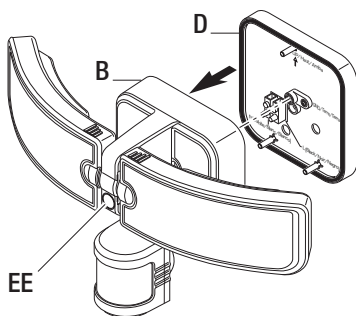


REMARQUE : Le grand boulon de montage (EE) est pré-installé dans le luminaire (B). Ne tentez pas de retirer le grand boulon de montage (EE).

- Dévissez le grand boulon de montage (EE) qui fixe le luminaire (B) à la plaque 1-2-Easy Connect^{MC} (D), puis retirez la plaque (D).



REMARQUE : Un joint de caoutchouc est déjà installé dans l' 1-2-Easy Connect^{MC}. Pour qu'il soit visible, ce joint est en noir dans les illustrations.



3 Installation du support

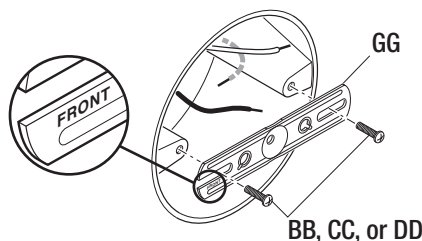


AVERTISSEMENT : Coupez l'alimentation du circuit au niveau du disjoncteur ou du fusible. Apposez du ruban adhésif sur le disjoncteur et assurez-vous qu'il n'y a pas de courant au luminaire.



REMARQUE : Six vis de diverses tailles sont fournies pour le support de montage. L'installation n'en exige que deux. Jeter les vis du support de montage non utilisée une fois l'installation terminée.

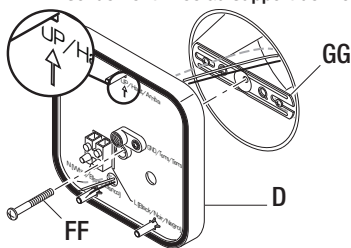
- Retirez le luminaire actuel.
- Installez le support (GG) de sorte que le mot « FRONT » soit à l'opposé de la boîte de jonction. Utilisez les vis de support (BB, CC ou DD) convenant le mieux à la boîte de jonction.
- Tirez fermement sur le support pour vous assurer qu'il est solidement fixé à la boîte de jonction. Au besoin, utilisez les vis retirées du luminaire qui était en place.



Installation (suite)

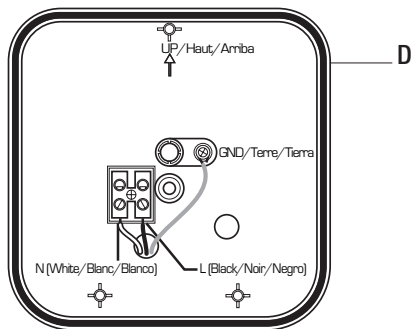
4 Installation de la plaque 1-2-Easy Connect^{MC}

- Faites passer les fils de la boîte de jonction dans un des trous de la plaque 1-2-Easy Connect^{MC} (D).
- Appuyez la plaque 1-2-Easy Connect^{MC} (D) contre la boîte de jonction.
 - Lors de l'installation au mur, la flèche « UP » doit pointer vers le haut.
 - Lors de l'installation sous l'avant-toit, la flèche « UP » doit pointer vers le bâtiment.
- Insérez le petit boulon de montage (FF) dans le trou 1-2-Easy Connect^{MC} (D) situé sous le trou fileté, puis vissez-le dans le trou au centre du support de montage (GG). Serrez solidement le boulon (FF).
- Tirez fermement sur la plaque 1-2-Easy Connect^{MC} pour vous assurer qu'elle est solidement fixée au support de montage.



5 Raccordement électrique

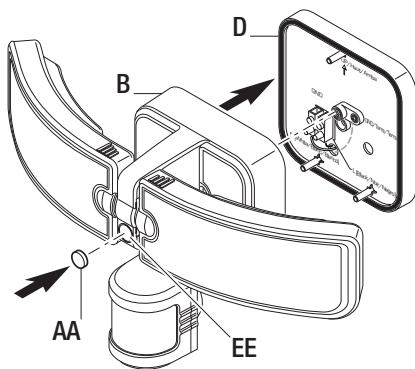
- Insérez les fils de la boîte de jonction dans le côté du bornier et autour de la vis de mise à la terre. Serrez les vis du bornier au moyen du petit tournevis (HH) ainsi que la vis de terre pour brancher les fils.
 - Insérez le fil blanc de la boîte de jonction dans la borne « N (White) ».
 - Insérez le fil noir de la boîte de jonction dans la borne « L (Black) ».
 - Raccordez le fil de terre vert ou dénudé de la boîte de jonction à la vis de mise à la terre (« GND »).



6 Montage du luminaire

AVIS : Les deux goupilles à l'arrière du luminaire doivent s'insérer dans le bornier pour que l'éclairage fonctionne.

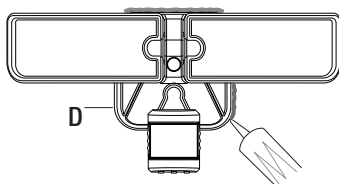
- Assurez-vous aussi que le joint de caoutchouc est bien placé dans la rainure autour de la plaque 1-2-Easy Connect^{MC} (D).
- Alignez le rebord inférieur du luminaire (B) avec le rebord inférieur de la plaque 1-2-Easy Connect^{MC} (D). Poussez le luminaire (B) vers la plaque 1-2-Easy Connect^{MC} (D) en vous assurant que le luminaire (B) est bien centré sur la plaque 1-2-Easy Connect^{MC} (D).
- Serrez solidement le grand boulon de montage (EE) qui passe au centre de la plaque 1-2-Easy Connect^{MC} (D). Évitez de trop serrer.
- Enfoncez fermement le bouchon de plastique (AA) dans le trou du boulon de montage du luminaire (B).



Installation (suite)

7 Scellant d'étanchéité autour du luminaire

- Appelez un scellant d'étanchéité autour de la plaque 1-2-Easy Connect^{MC} (D), sur la surface de montage (non compris).



Utilisation

1 Réglage des projecteurs



AVERTISSEMENT : Risque d'incendie. Assurez-vous d'avoir au moins 2 po (51 mm) entre les lampes et toute matière combustible.

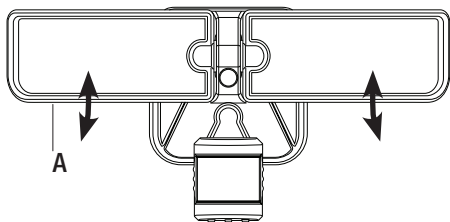


ATTENTION : Conservez le porte-lampe à un angle de 30 ° sous l'horizontale pour éviter les chocs électriques et les dommages par l'eau.

- Remettez l'alimentation au niveau du disjoncteur ou du fusible, puis activez l'interrupteur mural.
- Au besoin, agrippez doucement les projecteurs (A), puis faites-les pivoter de haut en bas pour régler la zone d'éclairage.



REMARQUE : Les projecteurs sont conçus pour pivoter uniquement vers le haut ou vers le bas. Ne tentez pas de les faire pivoter dans une autre direction.

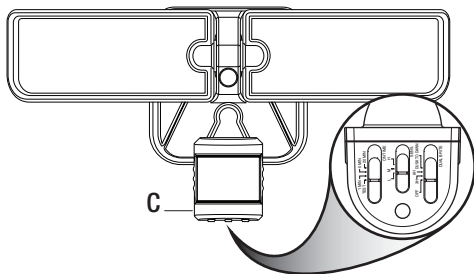


2 Rotation des commandes du détecteur vers le bas



ATTENTION : Pour éviter les dommages par l'eau et les risques de choc, les commandes du détecteur de mouvement doivent faire face au sol une fois l'installation terminée.

- Faites pivoter le détecteur de mouvement (C) de sorte que les commandes soient orientées vers le sol.



3 Réglage du détecteur aux fins d'essai

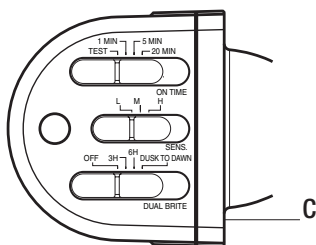


REMARQUE : Lorsque le commutateur « ON-TIME » est en position « TEST », le luminaire fonctionne de jour comme de nuit. L'éclairage demeure allumé pendant 8 secondes après que le mouvement s'est arrêté.

- Placez le commutateur « ON-TIME » en position « TEST ».
- Placez le commutateur « DUALBRITE » en position « OFF ».
- Placez le commutateur « SENS » en position « LO ».

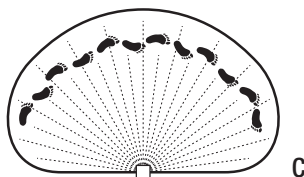


REMARQUE : Le détecteur de mouvement doit se réchauffer (60 secondes) avant de lancer le processus de réglage.



4 Réglage de la zone de détection du capteur

- Effectuez un « essai de marche » : déplacez-vous dans un arc de cercle devant le détecteur de mouvement (C).
- Surveillez le luminaire. La lumière s'allumera et le DEL rouge clignotera pour indiquer qu'un mouvement a été détecté.
- Arrêtez-vous, attendez que la lumière s'éteigne, puis recommencez à marcher.
- Continuez ainsi jusqu'à ce que vous ayez établi la zone de détection.
- Au besoin, agrippez doucement le détecteur de mouvement (C), puis déplacez-le de droite à gauche ou du bas vers le haut pour régler la zone de détection.



5 Réglage du commutateur SENS

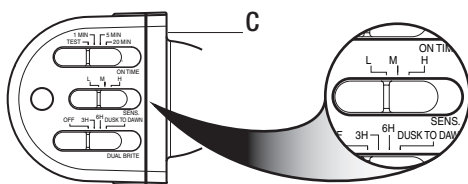
- Pour accroître la zone de détection, placez le commutateur « SENS » en position « HI ».
- Pour réduire la zone de détection, placez le commutateur « SENS » en position « LO ».



REMARQUE : Le détecteur (C) est plus sensible aux mouvements des éléments qui traversent son champ de visée. Le détecteur (C) est moins sensible aux mouvements des éléments qui se déplacent vers lui ou s'éloignent de lui.



REMARQUE : Plus la sensibilité est élevée (« SENS »), plus les risques de fausse détection sont élevés. Pour réduire les fausses détections, placez le commutateur « SENS » en position « LO ».

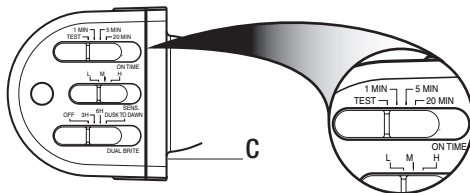


6 Réglage du commutateur ON-TIME



REMARQUE : Le commutateur « ON-TIME » détermine pendant combien de temps l'éclairage demeure allumé à pleine intensité après que le mouvement s'est arrêté.

- Placez le commutateur « ON-TIME » en position 1, 5 ou 20 minutes.

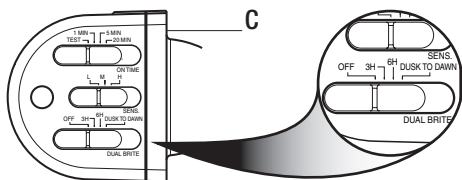


7 Réglage du commutateur DUALBRITE



REMARQUE : Le commutateur « DUALBRITE » détermine pendant combien de temps l'éclairage demeure allumé à intensité réduite après le coucher du soleil. Placer ce commutateur à « OFF » ne modifie pas le réglage du commutateur « ON-TIME ».

- Placez le commutateur « DUALBRITE » à OFF, 3, 6 ou DUSK TO DAWN (soir au matin).



8 Utilisation du mode manuel

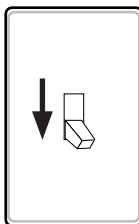


REMARQUE : Le mode manuel contourne le détecteur de mouvement (C) et la commande « ON-TIME » de sorte que l'éclairage s'allume à pleine intensité. Cette caractéristique fonctionne seulement à nuit, et une seule nuit à la fois. Le détecteur de mouvement (C) repasse en mode détection après six heures ou au moment du lever du soleil, selon la première éventualité. Le mode manuel peut aussi être activé et désactivé au moyen d'un interrupteur mural.

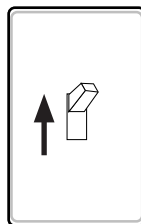
- Pour activer le mode manuel, fermez l'éclairage au moyen de l'interrupteur mural pendant 1 ou 3 secondes, puis rallumez-le.
- Pour désactiver le mode manuel, fermez l'éclairage au moyen de l'interrupteur mural pendant 1 ou 3 secondes, puis rallumez-le.



REMARQUE : Lorsque l'alimentation du luminaire est coupée pendant plus de cinq secondes, laissez le détecteur de mouvement se réchauffer avant de passer au mode manuel.



Fermez l'interrupteur pendant 1 ou 3 secondes



Réactivez l'interrupteur mural.

Entretien et nettoyage

- Pour prolonger l'apparence originale, nettoyez uniquement au moyen d'un chiffon doux trempé dans de l'eau.
- N'appliquez aucune peinture, solvant ou produit chimique sur ce luminaire. Cela pourrait causer une détérioration prématurée du fini. Cela ne constitue pas un défaut du fini, de sorte que ce n'est pas couvert par la garantie.
- Évitez de nettoyer le luminaire au moyen du boyau d'arrosage ou d'une laveuse à pression.

Dépannage

Problème	Cause possible	Solution
L'éclairage ne s'allume pas.	<ul style="list-style-type: none"> □ L'interrupteur est hors tension. □ Le fusible est grillé ou le disjoncteur est déclenché. □ La photocellule est en fonction. □ Le câblage du circuit est incorrect (s'il s'agit d'une nouvelle installation). □ Le détecteur de mouvement est orienté dans la mauvaise direction. □ La température de l'air extérieur est proche de la température corporelle d'une personne. 	<ul style="list-style-type: none"> □ Placez l'interrupteur en position ON. □ Remplacez le fusible ou enclenchez le disjoncteur. □ Vérifiez de nouveau une fois la nuit tombée. □ Vérifiez le câblage. □ Réorientez le détecteur afin de couvrir la zone souhaitée. □ Augmentez le réglage du « SENS ».
La lumière s'allume pendant la journée.	<ul style="list-style-type: none"> □ Le détecteur de mouvement est installé dans un endroit relativement sombre. □ Le commutateur « ON-TIME » est en position « TEST ». 	<ul style="list-style-type: none"> □ Le luminaire fonctionne normalement dans ces circonstances. □ Placez le commutateur « ON-TIME » en position 1, 5 ou 20 minutes.
La lumière s'allume sans raison apparente.	<ul style="list-style-type: none"> □ Le capteur détecte de petits animaux ou la circulation automobile. □ Le commutateur « SENS » est réglé à une sensibilité trop élevée. □ Le commutateur « DUALBRITE » est en position 3, 6 ou DUSK TO DAWN. □ La température extérieure est de loin supérieure ou inférieure à la température corporelle d'une personne (été ou hiver). □ Le luminaire est branché à un gradateur ou à une minuterie. 	<ul style="list-style-type: none"> □ Abaissez la sensibilité du « SENS » ou réorientez le détecteur de mouvement. □ Réduisez la sensibilité du cadran « SENS ». □ Le luminaire fonctionne normalement dans ces circonstances. □ Réduisez la sensibilité du cadran « SENS ». □ N'utilisez pas de gradateur ni de minuterie pour commander l'éclairage. Remplacez le gradateur ou la minuterie par un interrupteur mural standard.
L'éclairage s'éteint trop tard lorsqu'il est réglé à DUSK TO DAWN.	<ul style="list-style-type: none"> □ Le luminaire est installé dans un endroit relativement sombre. 	<ul style="list-style-type: none"> □ Déplacez le luminaire ou utilisez le réglage 3 heures ou 6 heures.

Dépannage (suite)

Problème	Cause possible	Solution
L'éclairage demeure continuellement allumé.	<ul style="list-style-type: none"> <input type="checkbox"/> Le détecteur de mouvement capte une source de chaleur : évent, sortie de sècheuse ou surface brillante réfléchissant la chaleur. <input type="checkbox"/> Le détecteur de mouvement est en mode manuel. <input type="checkbox"/> Le luminaire est branché à un gradateur ou à une minuterie. <input type="checkbox"/> Le luminaire est branché au même circuit qu'un moteur, un transformateur ou un fluorescent. 	<ul style="list-style-type: none"> <input type="checkbox"/> Abaissez la sensibilité du SENS ou réorientez le détecteur de mouvement. <input type="checkbox"/> Placez le détecteur de mouvement en mode AUTO. Consultez la section <i>Utilisation du mode manuel</i> à la page 21. <input type="checkbox"/> N'utilisez pas de gradateur ni de minuterie pour commander l'éclairage. Remplacez le gradateur ou la minuterie par un interrupteur mural standard. <input type="checkbox"/> Branchez le luminaire à un circuit ne comportant pas de moteur, de transformateur ni de fluorescent.
Les lumières clignotent.	<ul style="list-style-type: none"> <input type="checkbox"/> La chaleur ou la lumière des lampes activent et désactivent continuellement le détecteur de mouvement. <input type="checkbox"/> La chaleur est réfléchiée par des objets de sorte qu'elle active et désactive le détecteur de mouvement. <input type="checkbox"/> Le détecteur de mouvement est en mode « TEST » et se réchauffe. 	<ul style="list-style-type: none"> <input type="checkbox"/> Éloignez la lampe du détecteur de mouvement. <input type="checkbox"/> Abaissez la sensibilité du « SENS » ou réorientez le détecteur de mouvement. <input type="checkbox"/> En mode « TEST », l'éclairage demeure allumé seulement pendant 8 secondes. Réglez le commutateur « ON-TIME » à 1, 5 ou 20 minutes.
En mode manuel, les lumières clignotent une fois, puis demeurent éteintes.	<ul style="list-style-type: none"> <input type="checkbox"/> Le détecteur de mouvement capte la lumière de la lampe. 	<ul style="list-style-type: none"> <input type="checkbox"/> Repositionnez la lampe de sorte que la zone sous le détecteur de mouvement soit relativement sombre.

DEFIANT®

Questions, problèmes, pièces manquantes? Avant de retourner au magasin,
appelez le service à la clientèle Defiant
Du lundi au vendredi, 8 h à 18 h, HE

1-866-308-3976

HOMEDEPOT.COM

Conservez ce guide à titre de référence.