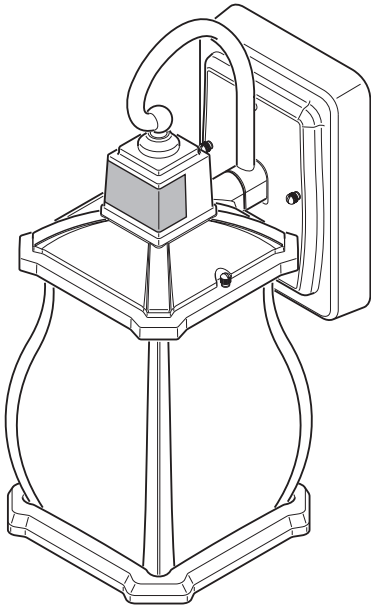


# HeathZenith®

## DUALBRITE® Motion Sensing Decorative Light

Model 4015



Motion Decorative Light

## INSTALLATION AND OPERATING INSTRUCTIONS

SAFETY INFORMATION .....	2
PREPARATION .....	2
HARDWARE CONTENTS .....	2
LIGHT FIXTURE INSTALLATION .....	3
WIRING THE LIGHT FIXTURE .....	3
OPTIONAL WIRING .....	5
MOUNTING THE LIGHT FIXTURE .....	6
TESTING AND ADJUSTMENTS .....	6
CARE AND MAINTENANCE .....	7
TROUBLESHOOTING GUIDE .....	8
SPECIFICATIONS .....	8
TECHNICAL SERVICE .....	9
THREE YEAR LIMITED WARRANTY .....	9



### Questions?

Please refer to the troubleshooting guide in this manual or call our technical service department (English speaking only) at 1-800-858-8501, 8:00 a.m. - 5:00 p.m., CST, Monday - Friday before returning to your retailer.

**Keep this manual for future reference.**

### ATTACH YOUR RECEIPT HERE

Receipt is required for all warranty requests.

Purchase Date \_\_\_\_\_

For a description of the DualBrite® technology, see page 7.

## SAFETY INFORMATION

Please read and understand this entire manual before attempting to assemble, operate, or install the product.

This light fixture requires 120-volts AC. All wiring must be in accordance with the National Electrical Code (Canadian Electrical Code in Canada). Some local electrical codes require installation by a qualified electrician.

### WARNING

- **Turn power off at circuit breaker or fuse when wiring fixture or replacing bulbs. Place tape over circuit breaker switch and verify power is off at the fixture.**

### CAUTION

- **Do not cut any wires that have factory installed wire connectors or remove the wire connectors.**

## PREPARATION

Before beginning installation of product, make sure all parts are present. Compare parts with hardware contents list. If any part is missing or damaged, do not attempt to assemble, install, or operate the product.

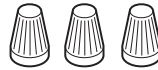
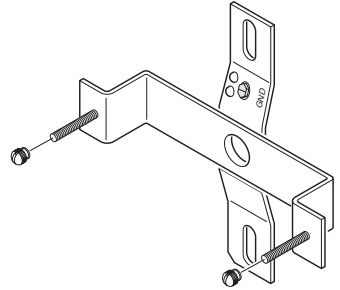
**Tools Required for Assembly (not included):** Phillips and flathead screwdrivers, pliers, wire strippers/cutters, multi-meter, electrical tape, silicone sealant, safety glasses, work gloves, and ladder

- For easy installation and to operate the light using Manual mode, replace an existing light fixture operated by a wall switch.
- Do not connect to dimmers or timers.
- For best performance, mount fixture about 6 feet (1.8 m) above the ground.

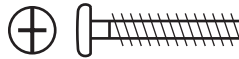
**Estimated Installation Time:** 30 minutes

## HARDWARE CONTENTS

*Note:* Illustrations may vary from actual unit.



3x – Wire Connectors



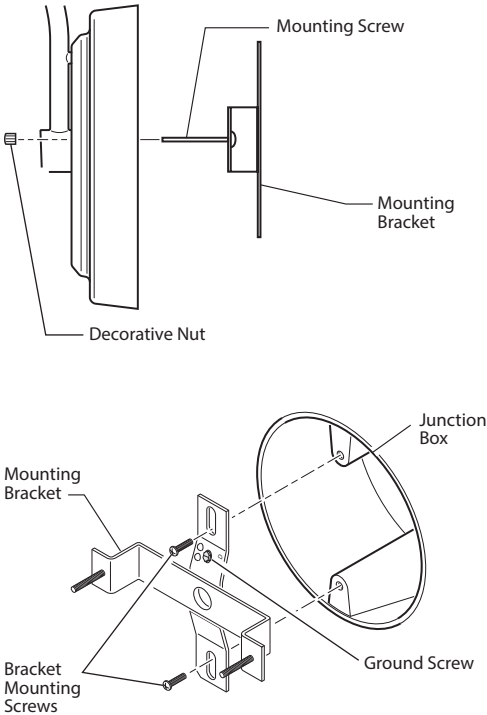
2x – Mounting Bracket Screw

1x – Mounting Bracket  
2x – Fixture Mounting Screws  
2x – Decorative Nut  
(This assembly is attached to the rear of the lantern canopy.)

## LIGHT FIXTURE INSTALLATION

For best performance, mount the fixture about 6 feet (1.8 m) above the ground.

1. Remove two decorative nuts.
2. Remove mounting bracket.
3. Tighten mounting screws finger tight.
4. Attach mounting bracket to junction box.



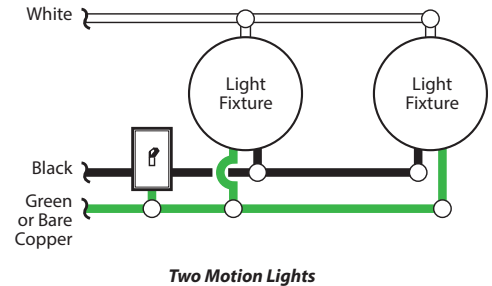
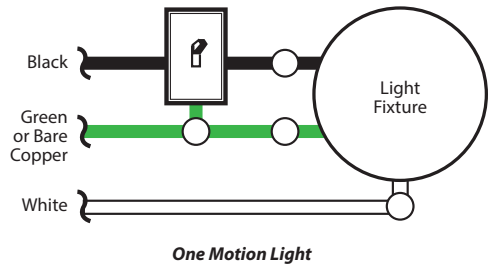
*Note:* We recommend having an assistant help hold the lantern assembly during the wiring process.

## WIRING THE LIGHT FIXTURE

**⚠ WARNING: Turn power off at circuit breaker or fuse.**

*Note:* All wiring must be run in accordance with the National Electrical Code through conduit or another acceptable means. **Contact a qualified electrician if there is any question as to the suitability of the system.**

**⚠ CAUTION: DO NOT connect the RED wire unless you want to control other lights from the motion sensor (see *Optional Wiring*).**

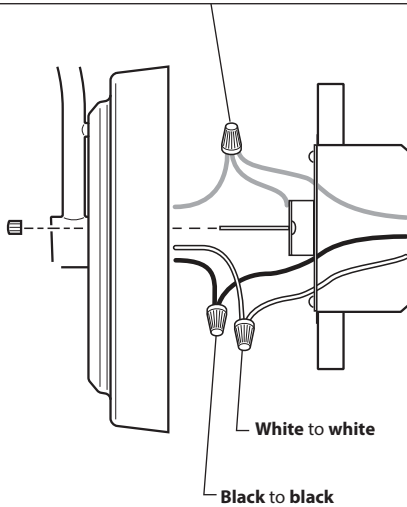


Connect the fixture wires to the wires in the junction box. Twist the wires together and secure with wire connectors.



### Recommended Grounding Method

Use a green ground “pigtail” (not provided) and twist one end together with the bare fixture wire and the box ground wire. Secure with a wire connector. Secure the other end of the “pigtail” with the GND screw on the mounting plate.



If you have metal junction box, you may not need the green “pigtail”. If you are unsure about the grounding method, consult your local building code.

## OPTIONAL WIRING

This fixture is provided with a sensor rated for 360 Watts. Since the fixture is only rated 100 Watts, 260 Watts of additional lighting may be controlled by this sensor.

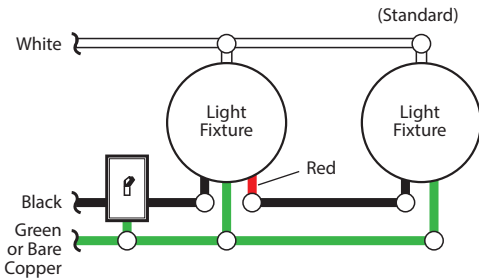
When determining what a fixture is rated for, do not simply look at the rating on the light bulb in the fixture. Look at the marking which specifies the maximum bulb wattage for which the fixture is suitable.

Once you have selected the fixtures to be connected and determined their maximum ratings, add these ratings up. For instance, if you have 3 fixtures rated 100 Watts, 150 Watts, and 75 Watts respectively, you have a total load of 325 Watts.

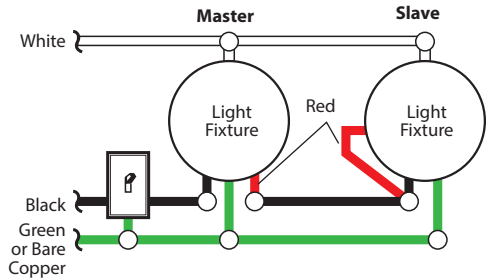
**Wiring Diagram 1** – When wiring to control a standard light fixture: Strip the motion sensor's **red** wire and connect to the standard light's **black** wire. Connect all white wires together. Total fixture ratings must not exceed 360 Watts (3.0 A).

**Wiring Diagram 2** – When wiring to control another motion sensing light fixture (Master / Slave): Strip the **red** wire in both light fixtures. Connect the **red** wire of the controlling (master) fixture to the **red and black** wires of the controlled (slave) fixture. Connect all white wires together. Total fixture ratings must not exceed 360 Watts (3.0 A).

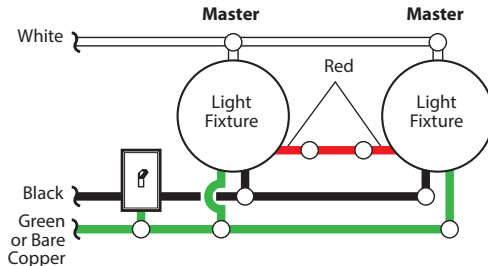
**Wiring Diagram 3** – When wiring so either motion light turns on the both motion lights (Master / Master): Strip the red wire in both light fixtures. Connect the **red** wire of one fixture to the **red** wire of the second fixture. *Note:* In most installations, an additional wire (same gauge as existing house wire) will have to be installed in the house to connect the two fixtures as master / master. Connect all white wires together and all black wires together. Total fixture ratings must not exceed 360 Watts (3.0 A).



**Wiring Diagram 1**



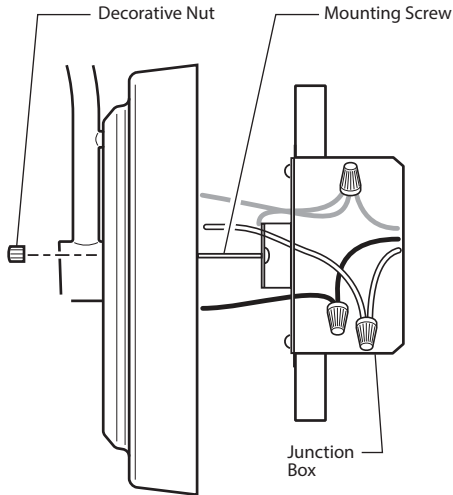
**Wiring Diagram 2**



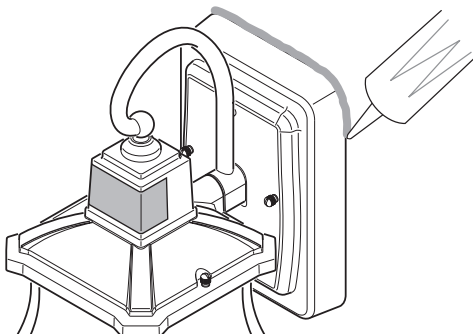
**Wiring Diagram 3**

## MOUNTING THE LIGHT FIXTURE

1. Make sure wire connectors and wires are inside the junction box.
2. Slide the fixture assembly onto the mounting screws. Tighten decorative nuts removed in step 1 of *Light Fixture Installation* section securely against fixture base.



3. Install one medium base light bulb (100 Watt maximum, tungsten incandescent).
4. **Caulk around fixture base with silicone weather sealant.**

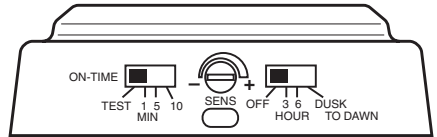


*Caulking Around Fixture Base*

## TESTING AND ADJUSTMENTS

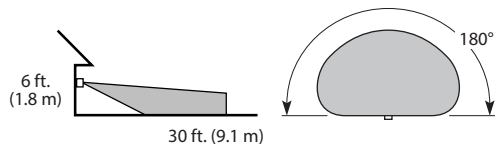
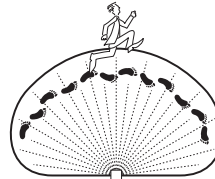
### Initial Setup

The TEST mode overrides the photocell (daylight shutoff feature) and allows the light fixture to be tested day or night when the ON-TIME switch is in the TEST position. The light will stay on for 5 seconds after all motion has stopped.



*Sensor Controls*

1. Turn the DualBrite control to OFF.
2. Set the ON-TIME control to TEST.
3. Set sensitivity control (SENS) to MIN position.
4. Turn on the circuit breaker or fuse and the light switch.
5. Allow the sensor to completely warm up (40 seconds) before beginning the setup process.
6. Perform a walk test. Walk in an arc across the front of the sensor.



*Maximum Range*

*Maximum Coverage Angle (Top View)*

## Final Setup

1. Adjust the sensitivity (SENS) to increase or decrease the range as needed. Too much sensitivity may cause false triggering due to heat sources in the coverage area (see *Testing and Adjustments* or *Troubleshooting* section).
2. Set the amount of ON-TIME you want the light to stay on after motion is detected (1, 5, or 10 minutes).
3. Set the DUALBRITE® switch to off, 3 hours, 6 hours, or dusk-to-dawn.

## Operating Modes

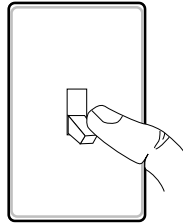
Mode:	On-Time	Works:	
		Day	Night
<b>Test</b>	5 Seconds	x	x
<b>Auto</b>	1, 5, or 10 Minutes		x
<b>Accent</b>	3, 6 Hour, To Dawn		x
<b>Manual</b>	To Dawn*		x

\* resets to Auto Mode at dawn.

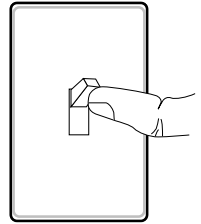
**Note:** When first turned on wait about 1 1/2 minutes for the circuitry to calibrate.

- **Motion Sensor (AUTO)** – This light fixture is designed to automatically turn on when the sensor detects a temperature difference moving across the front of the motion sensor. The light will turn off automatically after a set amount of time. The ON-TIME control should be set to 1, 5, or 10 minute setting and the wall switch should be left in the ON position at all times.
- **Optional DualBrite® Control** – This optional feature allows the light fixture to turn on at a lower light level after dusk (sunset) for the amount of time selected. When motion is detected, the lights will turn on full bright. This feature can be turned OFF and the motion sensor will continue to work in AUTO mode.

- **Manual Mode** – This light can be activated to stay on full bright after dusk (sunset) for only one night at a time. It automatically resets to motion sensing at dawn (sunrise). Manual mode must be re-activated each night. **Note:** If power to the light fixture is off for more than 5 seconds, allow the electronic circuitry in the sensor to calibrate (40 seconds) prior to switching to manual mode.
  1. To turn on MANUAL mode, switch the light off at the wall switch for 1 to 2 seconds and then back on.
  2. To return to AUTO mode, switch the light off at the wall switch for 1 to 2 seconds and then back on. **Note:** The sensor will also reset to AUTO mode at sunrise.



Turn Switch OFF for  
1 to 2 seconds



Turn Switch  
Back ON

## CARE AND MAINTENANCE

- To prolong the original appearance, clean with clear water and a soft damp cloth only.
- Do not use paints, solvents, or other chemicals on this light fixture. They could cause a premature deterioration of the finish. This is not a defect in the finish and will not be covered by the warranty.
- Do not spray with hose or power washer.

# TROUBLESHOOTING GUIDE

SYMPTOM	POSSIBLE CAUSE	SOLUTION
Lights will not come on.	<ol style="list-style-type: none"> <li>1. Light switch is turned off.</li> <li>2. Light bulb is loose or burned out.</li> <li>3. Fuse is blown or circuit breaker is turned off.</li> <li>4. Daylight turn-off is in effect.</li> <li>5. Sensor not detecting movement.</li> <li>6. Incorrect circuit wiring, if this is a new installation.</li> <li>7. The outside air temperature is close to the same as a person's body heat.</li> </ol>	<ol style="list-style-type: none"> <li>1. Turn light switch on.</li> <li>2. Check bulb and replace if burned out.</li> <li>3. Replace fuse or turn circuit breaker on.</li> <li>4. Recheck after dark.</li> <li>5. Adjust sensitivity control.</li> <li>6. Verify wiring is correct.</li> <li>7. Increase the "Sensitivity" setting.</li> </ol>
Lights come on in daylight.	<ol style="list-style-type: none"> <li>1. The motion sensor may be installed in a relatively dark location.</li> <li>2. The "ON-TIME" switch is in the "TEST" position.</li> </ol>	<ol style="list-style-type: none"> <li>1. The fixture is operating normally under these conditions.</li> <li>2. Set the "ON-TIME" switch to the 1, 5, or 10 minute setting.</li> </ol>
Lights come on for no apparent reason.	<ol style="list-style-type: none"> <li>1. The motion sensor may be sensing small animals or automobile traffic.</li> <li>2. Sensitivity is set too high.</li> <li>3. The "DUALBRITE" switch is in the 3 hour, 6 hour, or dusk-to-dawn setting.</li> <li>4. The outside temperature is much warmer or cooler than a person's body heat (summer or winter).</li> <li>5. The light fixture is wired through a dimmer or timer.</li> </ol>	<ol style="list-style-type: none"> <li>1. Reduce sensitivity.</li> <li>2. Reduce sensitivity.</li> <li>3. The light fixture is operating normally under these circumstances.</li> <li>4. Reduce sensitivity.</li> <li>5. Do not use a dimmer or timer to control the light fixture. Replace the dimmer or timer with a standard on/off wall switch.</li> </ol>
Lights stay on continuously.	<ol style="list-style-type: none"> <li>1. The sensor may be picking up a heat source like an air vent, dryer vent, or brightly painted, heat-reflective surface.</li> <li>2. The motion sensor is in manual mode.</li> <li>3. Light control is in DUALBRITE® mode.</li> <li>4. Sensitivity is set too high.</li> <li>5. The light fixture is wired through a dimmer or timer.</li> <li>6. The light fixture is on the same circuit as a motor, transformer, or fluorescent bulb.</li> </ol>	<ol style="list-style-type: none"> <li>1. Reduce sensitivity.</li> <li>2. Switch the motion sensor to auto. See <i>Manual mode</i> on page 7.</li> <li>3. Slide DUALBRITE® switch to OFF position.</li> <li>4. Reduce sensitivity.</li> <li>5. Do not use a dimmer or timer to control the light fixture. Replace the dimmer or timer with a standard on/off wall switch.</li> <li>6. Install the light fixture on a circuit without motors, transformers, or fluorescent bulbs.</li> </ol>
Lights flash on and off.	<ol style="list-style-type: none"> <li>1. Light control is in the TEST mode and warming up.</li> <li>2. Heat being reflected from other objects may be affecting the sensor.</li> </ol>	<ol style="list-style-type: none"> <li>1. Flashing is normal under these conditions.</li> <li>2. Reduce sensitivity.</li> </ol>
<p><b>Seasonal Temperature Changes</b> – The closer the surrounding temperature is to a person's body heat, the less sensitive the sensor will appear. The greater the temperature difference, the more sensitive the sensor will appear. The SENS control might need to be readjusted toward MIN or MAX as the outside temperature changes for the different seasons. This is a normal part of the light sensor's operation.</p>		

## SPECIFICATIONS

Range .....	Up to 30 ft. (9.1 m) [varies with surrounding temperature]
Sensing Angle.....	Up to 180°
Electrical Load .....	Up to 100 Watt Maximum Incandescent
Bulb Type .....	Medium Base, Type "A", 100 Watt Maximum
Sensor Capacity.....	Up to 360 Watt (3.0 A) Maximum Tungsten
Power Requirements.....	120 VAC, 60 Hz
Operating Modes .....	TEST, AUTO, and MANUAL MODE
ON-Timer.....	1, 5, 10 minutes
DUALBRITE® Timer.....	Off, 3, 6 hours, dusk-to dawn
Test Timer.....	5 Seconds
Manual Mode Timer.....	Dusk-to-Dawn



## TECHNICAL SERVICE

**Please call 1-800-858-8501 (English speaking only) for assistance  
before returning product to store.**

If you experience a problem, follow this guide. You may also want to visit our Web site at: [www.hzsupport.com](http://www.hzsupport.com). If the problem persists, call\* for assistance at **1-800-858-8501** (English speaking only), 8:00 AM to 5:00 PM CST (M-F). You may also write\* to:

HeathCo LLC

P.O. Box 90045

Bowling Green, KY 42102-9045

ATTN: Technical Service

\* If contacting Technical Service, please have the following information available: Model Number, Date of Purchase, and Place of Purchase.

### **No Service Parts Available for this Product**

**Please keep your dated sales receipt, it is required for all warranty requests.**

### **THREE YEAR LIMITED WARRANTY**

This is a "Limited Warranty" which gives you specific legal rights. You may also have other rights which vary from state to state or province to province.

For a period of three years from the date of purchase, any malfunction caused by factory defective parts or workmanship will be corrected at no charge to you.

**Not Covered** - Repair service, adjustment and calibration due to misuse, abuse or negligence, light bulbs, batteries, and other expendable items are not covered by this warranty. Unauthorized service or modification of the product or of any furnished component will void this warranty in its entirety. This warranty does not include reimbursement for inconvenience, installation, setup time, loss of use, unauthorized service, or return shipping charges.

**Finish Warranty Exclusions** - Finishes for fixtures installed outdoors are subject to change due to prolonged exposure to sunlight, pollutants, and other environmental conditions. Metal finishes will naturally mature over time, changing in appearance and creating a living finish. Painted finishes on outdoor fixtures may naturally fade over time, depending on the fixture's exposure to the outdoor elements. Thus, any claim for fading, discoloration, or "patina" of a finish on an outdoor fixture is not applicable to the above warranty. See "Care and Maintenance", page 7, for proper cleaning of the fixture.

This warranty covers only HeathCo LLC assembled products and is not extended to other equipment and components that a customer uses in conjunction with our products.

THIS WARRANTY IS EXPRESSLY IN LIEU OF ALL OTHER WARRANTIES, EXPRESS OR IMPLIED, INCLUDING ANY WARRANTY, REPRESENTATION OR CONDITION OF MERCHANT ABILITY OR THAT THE PRODUCTS ARE FIT FOR ANY PARTICULAR PURPOSE OR USE, AND SPECIFICALLY IN LIEU OF ALL SPECIAL, INDIRECT, INCIDENTAL, OR CONSEQUENTIAL DAMAGES.

REPAIR OR REPLACEMENT SHALL BE THE SOLE REMEDY OF THE CUSTOMER AND THERE SHALL BE NO LIABILITY ON THE PART OF HEATHCO LLC FOR ANY SPECIAL, INDIRECT, INCIDENTAL, OR CONSEQUENTIAL DAMAGES, INCLUDING BUT NOT LIMITED TO ANY LOSS OF BUSINESS OR PROFITS, WHETHER OR NOT FORESEEABLE. Some states or provinces do not allow the exclusion or limitation of incidental or consequential damages, so the above limitation or exclusion may not apply to you.

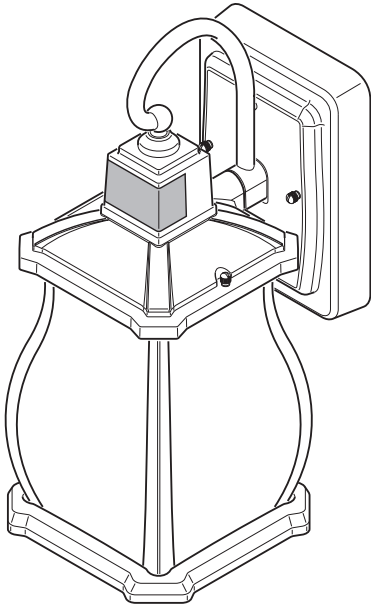
**Please keep your dated sales receipt, it is required for all warranty requests.**

HeathCo LLC reserves the right to discontinue products and to change specifications at any time without incurring any obligation to incorporate new features in products previously sold.

# Heath<sup>®</sup>Zenith

## Luz decorativa detectora de movimiento **DUALBRITE<sup>®</sup>**

### Modelo 4015



*Luz decorativa detectora de movimiento*

## INSTRUCCIONES PARA SU INSTALACIÓN Y FUNCIONAMIENTO

INFORMACIÓN SOBRE LA SEGURIDAD .....	11
PREPARACIÓN .....	11
FERRETERÍA OFRECIDA .....	11
INSTALACIÓN DEL APARATO DE LUZ .....	12
CABLEADO DEL APARATO DE LUZ .....	12
CONEXIÓN ALTERNA .....	14
MONTAJE DEL APARATO DE LUZ .....	15
PRUEBAS Y AJUSTES .....	15
CUIDADO Y MANTENIMIENTO .....	16
GUÍA DE INVESTIGACIÓN DE AVERÍAS .....	17
ESPECIFICACIONES .....	17
SERVICIO TÉCNICO .....	18
GARANTÍA LIMITADA A 3 AÑOS .....	18



### ¿Preguntas?

Por favor, consulte la guía de solución de problemas en este manual o llame a nuestro departamento de servicio técnico (solo para Inglés) al 1-800-858-8501, de 8:00 am - 5:00 pm, hora central, de lunes a viernes antes de volverlo a la tienda.

**Guarde este manual para referencia en el futuro.**

### ADJUNTE SU RECIBO AQUÍ

Se requiere recibo para todas las solicitudes de garantía.

Fecha de compra \_\_\_\_\_

## INFORMACIÓN SOBRE LA SEGURIDAD

Por favor lea y comprenda todo el manual antes de intentar ensamblar, operar o instalar el producto.

Esta lámpara requiere de 120 voltios CA. Todo el cableado debe ser de acuerdo con el Código Nacional de Electricidad (Código Eléctrico Canadiense en Canadá). Algunos códigos eléctricos locales requieren que la instalación sea hecha por un electricista calificado.

### ADVERTENCIA

- **Desconecte la alimentación en el disyuntor o fusible cuando haga el cableado de la lámpara o cambie las bombillas. Ponga cinta adhesiva sobre el interruptor del disyuntor y verifique que la electricidad esté apagada en la lámpara.**

### PRECAUCIÓN

- **No corte ningún cable que tenga conectores de cables instalados en fábrica ni retire los conectores.**

## PREPARACIÓN

Antes de comenzar la instalación, asegúrese de que tiene todas las piezas. Compare las piezas con la lista de ferretería ofrecida. Si alguna pieza falta o está dañada, no intente ensamblar, instalar o utilizar el producto.

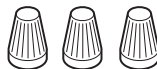
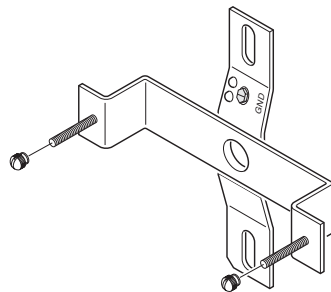
**Herramientas necesarias para el montaje (no incluidas):** Destornilladores Phillips y de cabeza plana, pinzas, separadores / cortadoras de alambre, multímetro, cinta aislante, sellador de silicona, gafas de seguridad, guantes de trabajo y escalera.

- Para una instalación fácil y para operar la luz utilizando la modalidad Manual, cambie el aparato de luz existente que funciona con un interruptor de pared.
- No lo conecte a atenuadores o temporizadores.
- Para un mejor funcionamiento, monte la unidad cerca de 6 pies (1,8 m) por encima del suelo.

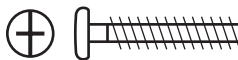
**Tiempo estimado de instalación:** 30 minutos

## FERRETERÍA OFRECIDA

*Nota:* Las ilustraciones pueden ser diferentes de la unidad comprada.



3x – Conectores de alambre



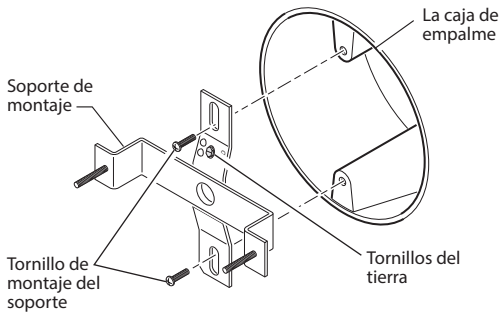
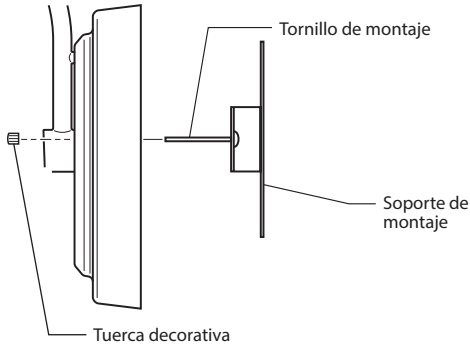
2x – Tornillo del soporte de montaje

- 1x – Soporte de montaje
- 2x – Tornillos de montaje del aparato
- 2x – Tuerca decorativa (Este conjunto está sujeto a la parte trasera del farol)

## INSTALACIÓN DEL APARATO DE LUZ

Para un mejor funcionamiento, instale el aparato a casi 1.8 m del suelo.

1. Quite dos tuercas decorativas.
2. Retire el soporte de montaje.
3. Ajuste lo más que pueda los tornillos para montaje con sus dedos.
4. Sujete el soporte de montaje a la caja de empalme.



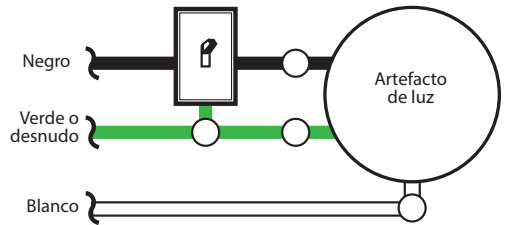
*Nota:* Recomendamos tener un asistente que ayude a sostener el conjunto del farol durante el proceso de cableado.

## CABLEADO DEL APARATO DE LUZ

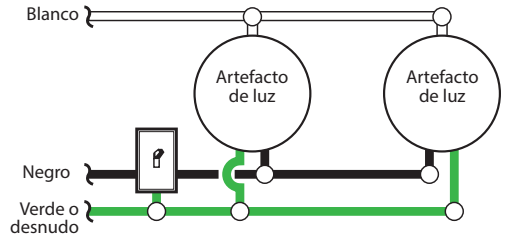
**⚠️ ADVERTENCIA:** Desconecte la alimentación en el disyuntor o en el fusible.

*Nota:* Todo el cableado debe realizarse de acuerdo con el Código Eléctrico Nacional usando tubería o algún otro medio aceptable. **Póngase en contacto con un electricista calificado si tiene alguna pregunta referente a la aptitud del sistema.**

**⚠️ CUIDADO:** NO conecte el cable ROJO excepto que desee controlar otras luces desde el detector de movimiento (Vea *Conexión Alternativa*).



*Luz de un movimiento*



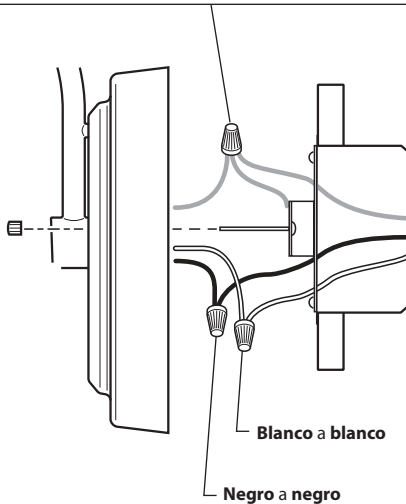
*Luz de dos movimientos*

Conecte los alambres del aparato a los alambres de la caja de empalme. Tuerza juntos los alambres y asegúrelos con conectores de alambre.



### Método recomendado de conexión a tierra

Use un “cable flexible” verde de tierra (no provisto) y tuerza un extremo con el cable desnudo del aparato y con el cable de a tierra de la caja. Asegúrelos con un conector de cables. Asegure el otro extremo del “cable flexible” con el tornillo de a tierra de la placa de montaje.



Si tiene una caja de empalme de metal, no necesita el “cable flexible”. Si no está seguro del método de conexión a tierra, consulte con el código local de construcción.

## CONEXIÓN ALTERNA

Este aparato viene con un detector con una potencia de 360 Vatios. Puesto que este aparato tiene sólo una potencia de 100 vatios, 260 vatios de luz adicional pueden ser controlados por este detector.

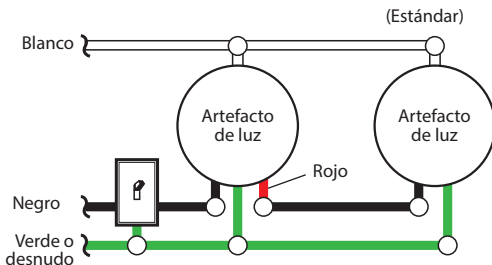
Cuando desee determinar la clasificación de un aparato no vea tan sólo la potencia de la lámpara. Mire la indicación que especifique el voltaje máximo de la lámpara que el aparato puede aceptar.

Una vez que ha escogido los aparatos que se conectarán y ha determinado sus máximas potencias, súmelas. Por ejemplo, si tiene 3 aparatos de 100 , 150 y 75 Vatios respectivamente, usted tendrá un total de 325 Vatios.

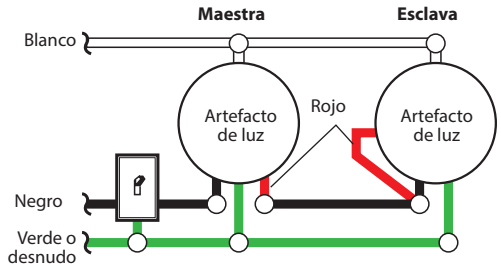
**Esquema eléctrico 1 – Cuando prepare una conexión para controlar un aparato de luz estándar:** Pele el alambre rojo del detector de movimiento y conéctelo al alambre negro de la luz estándar. Conecte todos los alambres blancos. La capacidad total no debe exceder los 360 Vatios (3.0 A).

**Esquema eléctrico 2 – Cuando prepare una conexión para controlar otro aparato de luz detector de movimiento:** Pele el alambre rojo en ambos aparatos de luz. Conecte el alambre rojo del aparato controlador (maestro) a los alambres rojo y negro del aparato controlado (esclavo). Conecte todos los alambres blancos. La capacidad total no debe exceder los 360 Vatios (3.0 A).

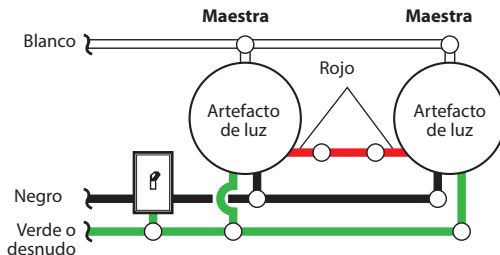
**Esquema eléctrico 3 – Cuando haga el cableado para que cualquier luz de movimiento prenda las dos luces que detectan movimiento (Maestro / Maestro):** Pele el conductor rojo de ambos aparatos de luz. Conecte el conductor rojo de un aparato al conductor rojo del otro aparato. *Nota:* en la mayoría de las instalaciones se deberá instalar un conductor adicional (del mismo calibre que el conductor de la casa) dentro de la casa para conectar los dos aparatos como maestro / maestro. Conecte entre si todos los alambres blancos y todos los alambres negros. La potencia nominal total del aparato no debe ser más de 360 vatios (3.0 Amp).



Esquema eléctrico 1



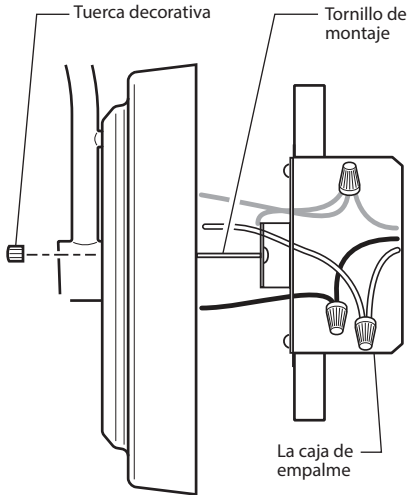
Esquema eléctrico 2



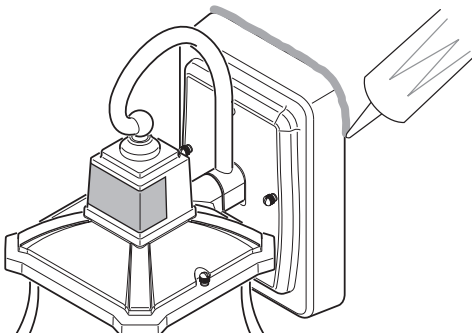
Esquema eléctrico 3

## MONTAJE DEL APARATO DE LUZ

1. Asegúrese que los conectores de alambre y los alambres estén dentro de la caja de empalme.
2. Deslice el conjunto del aparato sobre los tornillos de montaje. Apriete las tuercas decorativas quitadas en el paso 1 de la sección *Instalación del Aparato de Luz* firmemente en la base del aparato.



3. Instale una base media para bombilla (100 vatios máximo, tungsteno incandescente).
4. Calafatee alrededor de la base del aparato con un sellador de silicona contra la intemperie.

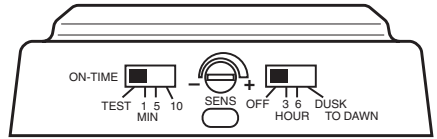


Calafateo alrededor de la base del aparato

## PRUEBAS Y AJUSTES

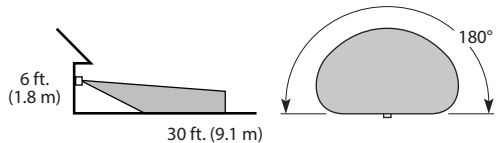
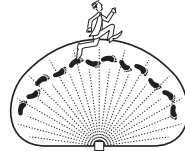
### Configuración inicial

La modalidad TEST anula la fotocélula (función de apagado durante el día) y permite que el aparato de luz sea probado durante el día o la noche cuando el interruptor ON-TIME se encuentra en la posición TEST. La luz permanecerá encendida por 5 segundos después de que todo movimiento se haya detenido.



Controles del detector

1. Gire el control DualBrite a OFF.
2. Fije el control ON-TIME a TEST.
3. Fije el control de sensibilidad (SENS) a la posición MIN.
4. Encienda el disyuntor o fusible y el interruptor de la luz.
5. Deje que el sensor se caliente por completo (40 segundos) antes de comenzar el proceso de instalación.
6. Haga una prueba de paso. Camine en arco por la parte delantera del detector.



Alcance Máximo

Ángulo de Cobertura Máxima  
(Vista desde arriba)

## Configuración Final

1. Regule la sensibilidad (SENS) para aumentar o disminuir el alcance según lo que necesite. Demasiada sensibilidad puede ocasionar falsas alarmas debido a fuentes de calor en la zona de cobertura (vea la sección *Ajuste de la zona de cobertura* o la sección *Análisis de averías*).
2. Fije el período de tiempo (ON-TIME) que la luz debe quedarse prendida después de detectar movimiento (1, 5 o 10 minutos).
3. Ponga el interruptor DUALBRITE<sup>MD</sup> en apagado (off), 3 horas, 6 horas, o dusk-to-dawn (del anochecer al amanecer).

## Modalidades de operación

Modalidad:	A tiempo:	Trabaja: Día	Noche
<b>Prueba</b>	5 segundos	x	x
<b>Automático</b>	1, 5 o 10 min.		x
<b>Adorno</b>	3, 6 hrs, hasta el amanecer		x
<b>Manual</b>	Hasta el amanecer*		x

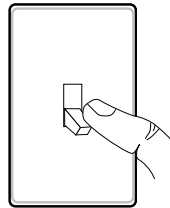
\*Se pone en Automático al amanecer.

*Nota:* Cuando encienda por primera vez, espere 1 1/2 minutos para que los circuitos se calibren.

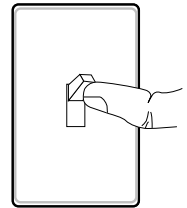
- **Detector de movimiento (AUTO)** – Esta lámpara está diseñada para prenderse automáticamente cuando el sensor detecta una diferencia de temperatura que se mueve por el frente del detector de movimiento. La luz se apagará automáticamente después de un determinado tiempo. El control ON-TIME se debe fijar a 1, 5 o 10 minutos y al interruptor de pared se lo debe dejar siempre en la posición ON.
- **Control opcional DualBrite®** – Esta función opcional permite que la lámpara se encienda a un nivel de luz baja después del atardecer (puesta del sol) por la cantidad de tiempo seleccionada. Cuando se detecta movimiento, las luces se prenderán con todo su resplandor. Esta característica puede desactivarse y el detector de movimiento seguirá trabajando en la modalidad AUTO.

- **Modalidad Manual** – Esta luz se puede activar para que permanezca con todo su resplandor después del atardecer (puesta del sol) por sólo una noche por vez. Se restablece automáticamente para detectar movimiento al amanecer (salida del sol). La modalidad manual se debe reactivar cada noche. *Nota:* Si la lámpara está apagada por más de 5 segundos, deje que el circuito electrónico del detector se calibre (40 segundos) antes de cambiar a la modalidad manual.

1. Para activar la modalidad MANUAL, apague la luz en el interruptor de pared de 1 a 2 segundos y vuelva a prenderla.
2. Para volver a la modalidad AUTO, apague la luz en el interruptor de pared de 1 a 2 segundos y vuelva a prenderla. *Nota:* El detector también se restablecerá a la modalidad AUTO al amanecer.



Apague el interruptor de 1 a 2 segundos



Vuelva a prender el interruptor

## CUIDADO Y MANTENIMIENTO

- Para prolongar la apariencia original, limpie solo con agua clara y un paño suave y húmedo.
- No utilice pinturas, disolventes u otros productos químicos en esta lámpara. Pueden causar un deterioro prematuro del acabado. Esto no es un defecto en el acabado y no estará cubierto por la garantía.
- No lo rocíe con una manguera o una lavadora a presión.



# GUÍA DE INVESTIGACIÓN DE AVERÍAS

SÍNTOMA	POSIBLE CAUSA	SOLUCIÓN
Las luces no se prenden.	<ol style="list-style-type: none"> <li>1. El interruptor de luz está apagado.</li> <li>2. La bombilla está floja o quemada.</li> <li>3. El fusible está quemado o el cortacircuitos está apagado.</li> <li>4. La modalidad de apagado durante el día está en efecto.</li> <li>5. El sensor no detecta el movimiento.</li> <li>6. Alambrado incorrecto, si ésta es una nueva instalación.</li> <li>7. La temperatura del aire exterior está cercana al calor corporal de una persona.</li> </ol>	<ol style="list-style-type: none"> <li>1. Encienda el interruptor de luz.</li> <li>2. Revise la lámpara y cámbiela si está quemada.</li> <li>3. Cambie el fusible enciendi el disyuntor.</li> <li>4. Revíselo después del anochecer.</li> <li>5. Modifique el control de sensibilidad.</li> <li>6. Verifique que el cableado esté correcto.</li> <li>7. Aumente el ajuste de sensibilidad (“SENS”).</li> </ol>
Las luces se prenden durante el día.	<ol style="list-style-type: none"> <li>1. El detector de movimiento puede estar instalado en un sitio relativamente oscuro.</li> <li>2. El interruptor de duración (“ON-TIME”) está en la posición prueba (“TEST”).</li> </ol>	<ol style="list-style-type: none"> <li>1. El aparato está funcionando normalmente bajo estas condiciones.</li> <li>2. Coloque el interruptor de duración (“ON-TIME”) en la calibración 1, 5 o 10 minutos.</li> </ol>
Las luces se prenden sin ninguna razón aparente.	<ol style="list-style-type: none"> <li>1. El detector de movimiento puede estar detectando pequeños animales o tráfico automotor.</li> <li>2. La Sensibilidad es demasiado alta.</li> <li>3. El interruptor “DUALBRITE” está en la calibración 3 horas, 6 horas, o del crepúsculo al amanecer.</li> <li>4. La temperatura exterior está más caliente o más fría que el calor corporal de una persona (verano o invierno).</li> <li>5. El aparato de luz está cableado a través de un reductor de luz o de un temporizador.</li> </ol>	<ol style="list-style-type: none"> <li>1. Reduzca la sensibilidad.</li> <li>2. Reduzca la sensibilidad.</li> <li>3. El aparato de luz está operando normalmente bajo estas circunstancias.</li> <li>4. Reduzca la sensibilidad.</li> <li>5. No use un reductor de luz o un temporizador para controlar el aparato de luz. Cambie el reductor de luz o el temporizador por un interruptor de pared estándar de encendido/apagado.</li> </ol>
Las luces se quedan prendidas continuamente.	<ol style="list-style-type: none"> <li>1. El sensor puede detectar fuentes de calor, como ductos de calefacción y de aire acondicionado, o superficies resplandecientes que reflejan la luz.</li> <li>2. El detector de movimiento está en la fase manual.</li> <li>3. El control de luz está en la modalidad DUALBRITE®.</li> <li>4. La Sensibilidad es demasiado alta.</li> <li>5. El aparato de luz está cableado a través de un reductor de luz o de un temporizador.</li> <li>6. El aparato de luz está en el mismo circuito que un motor, transformador o tubo fluorescente.</li> </ol>	<ol style="list-style-type: none"> <li>1. Reduzca la sensibilidad.</li> <li>2. Cambie el detector de movimiento a automático. Vea <i>Modalidad manual</i> en la página 16.</li> <li>3. Deslice el interruptor DUALBRITE® a la posición de apagado (off).</li> <li>4. Reduzca la sensibilidad.</li> <li>5. No use un reductor de luz o un temporizador para controlar el aparato de luz. Cambie el reductor de luz o el temporizador por un interruptor de pared estándar de encendido/apagado.</li> <li>6. Instale el aparato de luz en un circuito sin motores, transformadores o tubos fluorescentes.</li> </ol>
La luz se prenden y se apagan.	<ol style="list-style-type: none"> <li>1. El control de luz está en fase de Prueba y calentándose.</li> <li>2. El calor que se refleja de otros objetos pueden estar afectando al detector.</li> </ol>	<ol style="list-style-type: none"> <li>1. El prenderse y apagarse es normal bajo estas condiciones.</li> <li>2. Reduzca la sensibilidad.</li> </ol>
<p><b>Cambios estacionales de temperatura</b> - Cuanto más cerca esté la temperatura ambiental al calor del cuerpo de una persona, el detector parecerá menos sensible. Cuanto mayor sea la diferencia de temperatura, el detector parecerá más sensible. El control SENS puede necesitar ser recalibrado hacia MIN o MAX a medida que la temperatura exterior cambia debido a las diferentes estaciones del año. Esta es una parte normal del funcionamiento del detector de luz.</p>		

## ESPECIFICACIONES

Alcance .....	Hasta 9.1 m. (varía con la temperatura del medio ambiente).
Ángulo de detección .....	Hasta 180°
Carga Eléctrica .....	Hasta un máximo de 100 vatios de incandescente
Tipo de bombilla .....	Casquillo mediano, tipo “A” de 100 vatios máximo
Capacidad del Detector .....	Foco de tungsteno de hasta 360 vatios (3.0 A) como máximo
Requisitos de Energía.....	120 VCA, 60 Hz
Fases de Operación.....	PRUEBA, AUTOMÁTICO y MODO MANUAL
Temporizador de duración (del encendido).....	1, 5 o 10 minutos
Temporizador de DUALBRITE® .....	Apagado, 3, 6 horas, del atardecer al amanecer
Temporizador de prueba.....	5 segundos
Temporizador de la fase manual .....	Del atardecer al amanecer

## SERVICIO TÉCNICO

**Favor de llamar al 1-800-858-8501 (sólo para hablar en inglés) para pedir ayuda antes de devolver el producto a la tienda.**

Si tiene algún problema, siga esta guía. Usted puede también visitar nuestro sitio Web: [www.hzsupport.com](http://www.hzsupport.com). Si el problema continúa, llame al **1-800-858-8501** (sólo para hablar en inglés), de 8:00 AM a 5:00 PM CST (L-V). Usted puede también escribir a:

HeathCo LLC

P.O. Box 90045

Bowling Green, KY 42102-9045

ATTN: Technical Service (Servicio Técnico)

\* Si se llama al Servicio Técnico, por favor tener lista la siguiente información: Número de Modelo, Fecha de compra y Lugar de compra.

**No hay piezas de servicio disponibles para este producto.**

**Por favor guarde su recibo de venta fechado; se lo requiere para cualquier solicitud de garantía.**

### GARANTÍA LIMITADA A 3 AÑOS

Esta es una "Garantía Limitada" que le da a Ud. derechos legales específicos. Usted puede también tener otros derechos que varían de estado a estado o de provincia a provincia.

Por un período de 3 años desde la fecha de compra, cualquier mal funcionamiento ocasionado por partes defectuosas de fábrica o mano de obra será corregido sin cargo para Ud.

**No cubierto** - Servicio de reparación, ajuste y calibración debido al mal uso, abuso o negligencia, bombillas, baterías, u otras partes fungibles no están cubiertas por esta garantía. Los Servicios no autorizados o modificaciones del producto o de cualquier componente que se provee invalidarán esta garantía en su totalidad. Esta garantía no incluye reembolso por inconveniencia, instalación, tiempo de instalación, pérdida de uso, servicio no autorizado, o costos de transporte de retorno.

**Exclusiones de garantía de los acabados** – Los acabados de los aparatos instalados al aire libre están sujetos a cambios debido a su exposición prolongada a la luz solar, a los contaminantes y a otras condiciones ambientales. Los acabados de metal, naturalmente, madurarán con el tiempo, cambiando su apariencia y creando un acabado patinado. Los acabados pintados en aparatos al aire libre pueden desteñirse en forma natural con el tiempo, dependiendo de la exposición del aparato a la intemperie. Por lo tanto, cualquier reclamo por desteñido, decoloración o "pátina" del acabado de un accesorio al aire libre no es aplicable a la garantía antes mencionada. Vea la sección "Cuidado y mantenimiento" en la página 16, para una limpieza adecuada del aparato.

Esta garantía cubre solamente los productos ensamblados por HeathCo LLC y no se extiende a otros equipos o componentes que el consumidor usa junto con nuestros productos.

**ESTA GARANTÍA ESTÁ EXPRESAMENTE EN LUGAR DE OTRAS GARANTÍAS, EXPRESADAS O SOBREENTENDIDAS, INCLUYENDO CUALQUIER GARANTÍA, REPRESENTACIÓN O CONDICIÓN DE COMERCIABILIDAD O QUE LOS PRODUCTOS SE ADAPTEN PARA CUALQUIER PROPÓSITO O USO EN PARTICULAR, Y ESPECIFICAMENTE EN LUGAR DE TODOS LOS DAÑOS ESPECIALES, INDIRECTOS, INCIDENTALES Y CONSECUENTES.**

LA REPARACIÓN O EL REEMPLAZO DEBERÍA SER LA ÚNICA SOLUCIÓN DEL CLIENTE Y NO HABRÁ RESPONSABILIDAD POR PARTE DE HEATHCO LLC POR CUALQUIER DAÑO ESPECIAL, INDIRECTO, INCIDENTAL O CONSECUENTE, INCLUIDOS PERO NO LIMITADOS A CUALQUIER PÉRDIDA DE NEGOCIO O GANANCIAS SEAN O NO PREVISIBLES. Algunos estados o provincias no permiten la exclusión o limitación de daños incidentales o consecuentes, de modo que la limitación o exclusión arriba indicada puede que no se aplique a Ud.

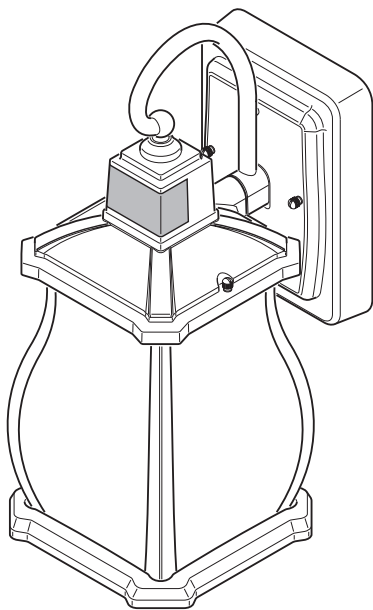
**Por favor guarde su recibo de venta fechado; se lo requiere para cualquier solicitud de garantía.**

HeathCo LLC se reserva el derecho de discontinuar productos y de cambiar especificaciones a cualquier momento sin incurrir en ninguna obligación de tener que incorporar nuevas características en los productos vendidos con anterioridad.

# Heath<sup>®</sup>Zenith

## Luminaire décoratif à détecteur de mouvement et fonction DUALBRITE<sup>MD</sup>

Modèle 4015



*Luminaire décoratif à détecteur de mouvement*

Pour une description de la technologie DualBrite<sup>MD</sup>, consultez la page 25.

## INSTRUCTIONS D'INSTALLATION ET MODE D'EMPLOI

RENSEIGNEMENTS DE SÉCURITÉ.....	20
PRÉPARATION .....	20
QUINCAILLERIE FOURNIE.....	20
INSTALLATION DU LUMINAIRE.....	21
BRANCHEMENT DU LUMINAIRE.....	21
CÂBLAGE FACULTATIF .....	23
MONTAGE DU LUMINAIRE .....	24
ESSAIS ET RÉGLAGES .....	24
ENTRETIEN ET MAINTENANCE .....	25
GUIDE DE DÉPANNAGE.....	26
FICHE TECHNIQUE.....	26
SERVICE TECHNIQUE .....	27
GARANTIE LIMITÉE DE 3 ANS .....	27



### Des questions?

Consultez le guide de dépannage du guide ou communiquez avec le service technique (en anglais seulement) au 1 800 858-8501, de 8 h à 17 h, HNC, du lundi au vendredi avant de retourner chez le détaillant.

**Conservez ce guide à titre de référence.**

### FIXEZ VOTRE REÇU DE CAISSE ICI

Le reçu est nécessaire pour toute demande sous garantie.

Date d'achat \_\_\_\_\_

## RENSEIGNEMENTS DE SÉCURITÉ

Veuillez lire et bien comprendre le guide avant de tenter d'assembler, d'utiliser ou d'installer le produit.

Ce luminaire exige une alimentation de 120 volts c.a. Tout le câblage doit être conforme au National Electrical Code (Code canadien de l'électricité au Canada). Certains codes électriques locaux exigent qu'un électricien accrédité installe ce luminaire.

### AVERTISSEMENT

- **Coupez l'alimentation au niveau du disjoncteur ou du fusible pour brancher le luminaire ou remplacer les lampes. Placez un bout de ruban adhésif sur le disjoncteur assurez-vous que le courant est bien coupé au luminaire.**

### ATTENTION

- **Ne coupez aucun fil doté de capuchons de connexion installés en usine et ne retirez pas ces capuchons de connexion.**

## PRÉPARATION

Avant de commencer l'installation du produit, assurez-vous de bien avoir toutes les pièces. Comparez les pièces avec la liste de la quincaillerie fournie. S'il manque une pièce ou si l'une d'elles est endommagée, ne tentez pas d'assembler d'installer ou d'utiliser le produit.

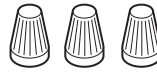
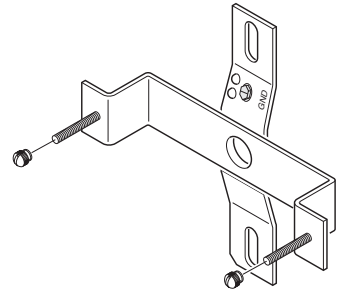
**Outils nécessaires à l'assemblage (non fournis) :** Tournevis Phillips et à lame droite, pinces, pinces à dénuder et à couper, multimètre, ruban adhésif électrique, scellant d'étanchéité à la silicone, lunettes de sécurité, gants de travail et échelle.

- Pour une installation et une utilisation faciles au moyen du mode Manuel, remplacez un luminaire existant commandé par interrupteur mural.
- Ne connectez pas ce luminaire à un gradateur ni à une minuterie.
- Pour un meilleur rendement, installez le luminaire à environ 6 pieds (1,8 m) du sol.

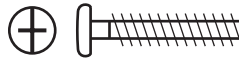
**Durée estimative de l'installation :** 30 minutes

## QUINCAILLERIE FOURNIE

*Remarque :* Les illustrations peuvent être différentes de l'appareil acheté.



3x – Capuchons de connexion



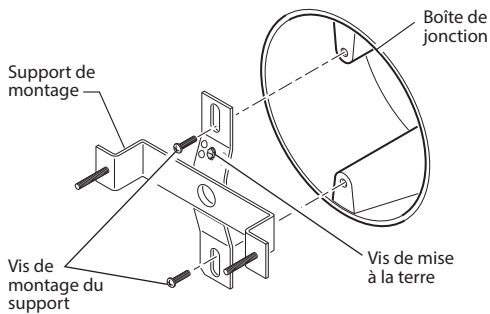
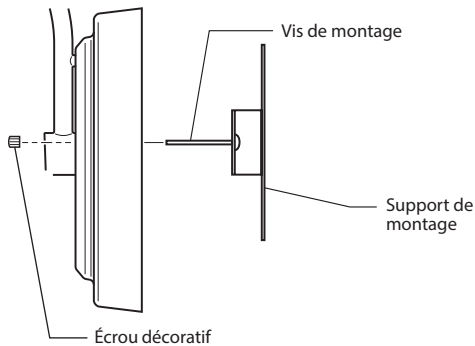
2x – Vis de montage du support

1x – Support de montage  
2x – Vis de montage du luminaire  
2x – Écrou décoratif  
(Cet élément est fixé à l'endos du couvercle de la lanterne.)

## INSTALLATION DU LUMINAIRE

Pour un rendement optimal, montez le luminaire à environ 1,8 m au-dessus du sol.

1. Retirez les deux écrous décoratifs.
2. Retirez le support de montage.
3. Serrez à la main les vis de la croix.
4. Fixez le support de montage à la boîte de jonction.



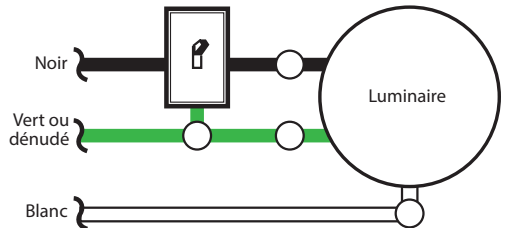
*Remarque :* Il est recommandé de demander à une autre personne de tenir la lanterne pendant le passage des fils.

## BRANCHEMENT DU LUMINAIRE

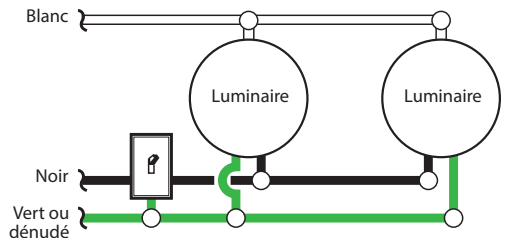
**⚠ MISE EN GARDE : Coupez l'alimentation au disjoncteur ou au fusible.**

*Remarque :* Le câblage doit être conforme aux exigences du Code national de l'électricité et être installé dans des canalisations ou autres dispositifs acceptables. **Si vous avez des doutes concernant la convenance du système, consultez un électricien reconnu.**

**⚠ AVERTISSEMENT: NE PAS raccorder le fil ROUGE à moins que vous ne vouliez commander d'autres luminaires au moyen du détecteur de mouvement (voir Câblage Facultatif).**



**Une lanterne à détecteur de mouvement**



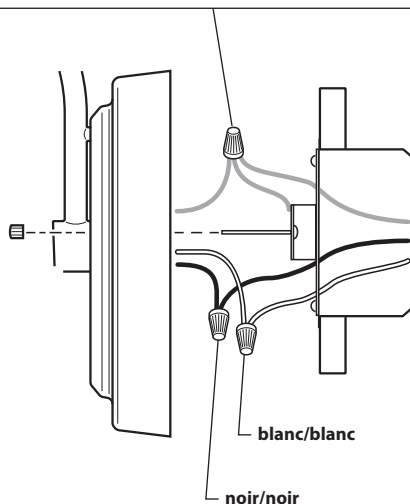
**Deux lanternes à détecteur de mouvement**

Branchez les fils du luminaire aux fils dans la boîte de raccordement. Torsadez ces fils ensemble, puis ajoutez-y un connecteur de fils.



### Méthode de mise à la terre recommandée

Utilisez une «queue de cochon» verte (non fournie) et torsadez-en une extrémité avec le fil nu du luminaire et le fil de terre de la boîte de jonction. Utilisez un serre-fils. Fixez l'autre extrémité de la «queue de cochon» avec la vis de terre (GND) sur la plaque de montage.



Si la boîte de jonction est en métal, vous pourriez nécessiter une «queue de cochon» verte. Si vous avez des doutes sur la méthode de mise à la terre, consultez votre code du bâtiment.

## CÂBLAGE FACULTATIF

Ce luminaire est pourvu d'un capteur de 360 W. Comme ce luminaire ne consomme que 100 W, le capteur peut commander 260 W d'éclairage supplémentaire.

Lorsque vous déterminez l'intensité que peut supporter un luminaire, ne vous contentez pas de simplement lire l'intensité indiquée sur l'ampoule. Recherchez l'étiquette indiquant le wattage d'ampoule maximal de l'appareil.

Une fois que vous avez choisi les luminaires à raccorder et déterminé leur intensité maximale respective, additionnez les intensités. Par exemple, si vous avez 3 appareils dont l'intensité est 100 Watts, 150 Watts et 75 Watts respectivement, la charge totale est 325 Watts.

**Diagramme de câblage 1 – Câblage d'un luminaire standard :** dénudez le fil **rouge** du détecteur de mouvement et raccordez-le au fil **noir** du luminaire standard. Raccordez tous les fils blancs ensemble. L'intensité maximale ne doit pas dépasser 360 Watts (3,0 A).

**Diagramme de câblage 2 – Câblage d'un autre luminaire à détecteur de mouvement (Maître / Satellite) :** dénudez le fil **rouge** des deux luminaires. Branchez le fil **rouge** du luminaire de commande (maître) aux fils **rouge** et **noir** du luminaire commandé (satellite). Branchez tous les fils blancs ensemble. La consommation totale des luminaires ne doit pas être supérieure à 360 Watts (3,0 A).

**Diagramme de câblage 3 – Câblage de sorte que l'une ou l'autre des commandes déclenche les deux luminaires (Maître / Maître) :** dénudez le fil **rouge** des deux luminaires. Branchez le fil **rouge** d'un luminaire au fil **rouge** du second luminaire. *Remarque :* Dans la plupart des cas, un fil supplémentaire (de même calibre que le fil de la résidence) doit être installé pour raccorder les deux luminaires en configuration « principal / principal ». Raccordez tous les fils blancs ensemble, puis faites de même avec tous les fils noirs. La consommation totale des luminaires ne doit pas être supérieure à 360 Watts (3,0 A).

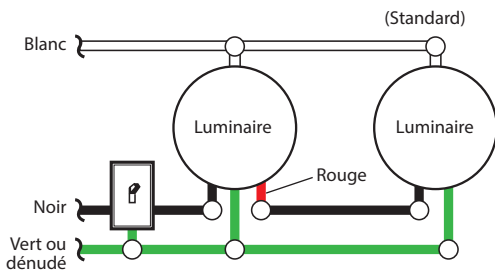


Diagramme de câblage 1

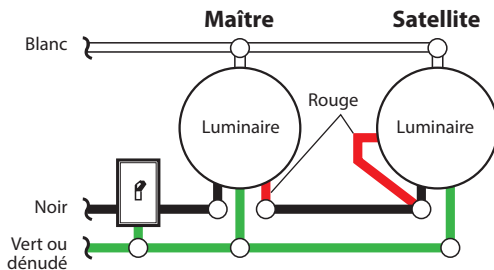


Diagramme de câblage 2

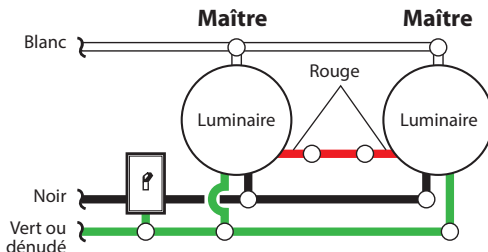
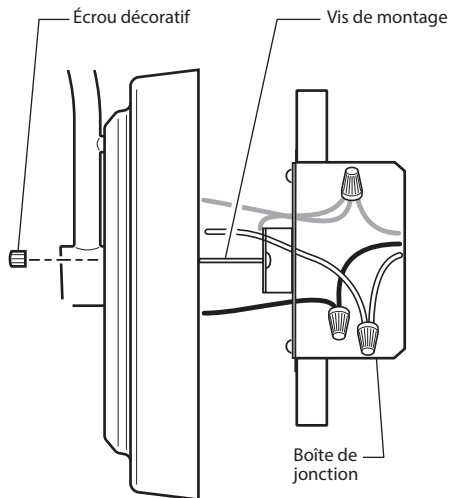


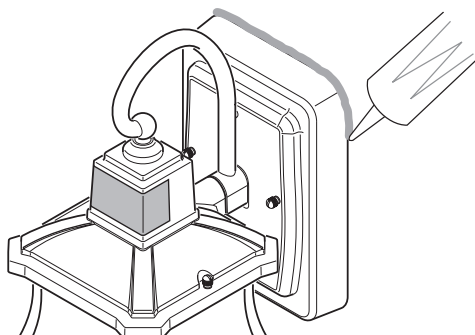
Diagramme de câblage 3

## MONTAGE DU LUMINAIRE

1. Assurez-vous que les capuchons de connexion et les fils sont bien insérés dans la boîte de jonction.
2. Faites glisser le socle du luminaire sur les vis de montage. Serrez solidement les écrous décoratifs retirés à l'étape 1 de la section *Installation du luminaire* contre la base du luminaire base.



3. Installez une ampoule à culot moyen (maximum de 100 W, tungstène à incandescence).
4. **Calfeutrez autour de la base du luminaire avec du mastic silicone résistant aux intempéries.**

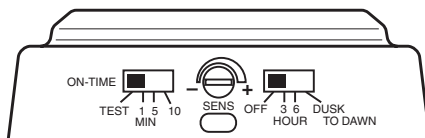


Scellant d'étanchéité autour de la base

## ESSAIS ET RÉGLAGES

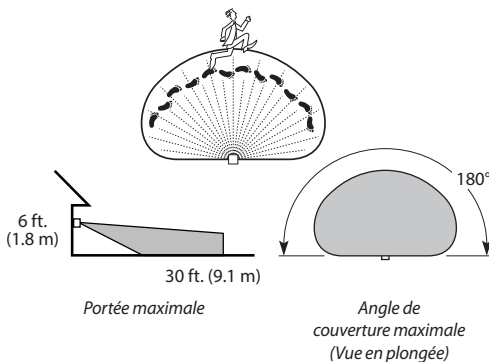
### Réglage initial

Le mode TEST contourne la photocellule (fonction d'arrêt pendant la journée) et permet de faire l'essai du luminaire pendant la journée ou la nuit lorsque le commutateur « ON-TIME » est en position TEST. L'éclairage demeure allumé pendant cinq secondes après que le mouvement s'est arrêté.



Commandes du détecteur

1. Placez la commande DualBrite à OFF.
2. Placez la commande ON-TIME à TEST.
3. Réglez la commande de sensibilité (SENS) à la position MIN.
4. Réenclenchez le disjoncteur ou le fusible et placez l'interrupteur à ON.
5. Laissez le détecteur se réchauffer complètement (40 secondes) avant de commencer le réglage.
6. Effectuez un test de passage. Déplacez-vous selon un arc de cercle devant le détecteur.





## Réglage Final

1. Régler la sensibilité (SENS) selon les besoins. Une trop grande sensibilité pourrait entraîner des déclenchements intempestifs attribuables à des sources de chaleur dans la zone de couverture (consultez les sections *Essais et réglages* ou *Guide de dépannage*).
2. Réglez la période (ON-TIME) pendant laquelle vous souhaitez que l'éclairage fonctionne après détection d'un mouvement (1, 5 ou 10 minutes).
3. Placer le commutateur DUALBRITE<sup>MD</sup> à fermé (off), 3 heures, 6 heures ou crépuscule-aurore (dusk-to-dawn).

## Modes de fonctionnement

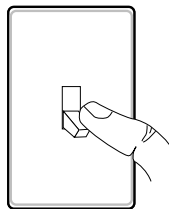
Mode:	Temps en circuit:	En fonction:	
		jour	nuît
<b>Essai</b>	5 secondes	x	x
<b>Auto</b>	1, 5 ou 10 min.		x
<b>Accentuation</b>	3, 6 h jusqu'à l'aurore		x
<b>Manuel</b>	au choix, amanecer*		x

\* Revient au mode automatique au lever du soleil.

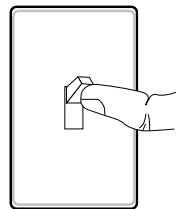
*Remarque :* Après mise en circuit, attendre environ 1 1/2 minute pour que l'étalonnage du circuit soit complété.

- **Détecteur de mouvement (AUTO)** – Ce luminaire est conçu pour s'allumer automatiquement lorsque le détecteur décèle une différence de température qui se déplace devant lui dans la zone de couverture. La lumière s'éteindra automatiquement après le délai de fonctionnement fixé. La commande ON-TIME devrait être réglée à 1, 5 ou 10 minutes et l'interrupteur devrait être constamment placé en position ON.
- **Commande DualBrite<sup>MD</sup> facultative** – Cette fonction facultative fait en sorte que le luminaire s'allume à intensité réduite après le coucher du soleil, pendant le délai de fonctionnement fixé. Lorsqu'un mouvement est détecté, la lumière s'allume à pleine intensité. Cette fonction peut être désactivée (OFF), et le détecteur de mouvement continuera de fonctionner en mode AUTO.

- **Mode Manuel** – Ce luminaire peut être réglé pour demeurer allumé à pleine intensité après le coucher du soleil, une nuit à la fois. Il revient automatiquement à l'état initial (AUTO) au lever du soleil. Le mode Manuel doit être réactivé chaque soir. *Remarque :* En cas de coupure de courant pendant plus de 5 secondes, il faut laisser au circuit électronique le temps de s'étalonner (40 secondes) avant de passer en mode manuel.
1. Pour activer le mode MANUEL, fermez le luminaire au niveau de l'interrupteur mural pendant 1 à 2 secondes, puis remettez-le sous tension.
  2. Pour repasser en mode AUTO, fermez le luminaire au niveau de l'interrupteur mural pendant 1 à 2 secondes, puis remettez-le sous tension. *Remarque :* Le détecteur repassera aussi en mode AUTO au lever du soleil.



Placez l'interrupteur à OFF pendant 1 à 2 secondes.



Remettez l'interrupteur à ON.

## ENTRETIEN ET MAINTENANCE

- Pour conserver l'apparence originale du luminaire, nettoyez-le uniquement au moyen d'eau douce et d'un chiffon mouillé.
- N'appliquez aucune peinture, solvant ou produit chimique sur ce luminaire. Cela pourrait entraîner une détérioration prématurée du fini. Il ne s'agit pas d'un défaut du fini et ce ne sera pas couvert dans le cadre de la garantie.
- Évitez d'asperger au moyen d'un boyau ou d'un nettoyeur à pression.

## GUIDE DE DÉPANNAGE

SYMPTÔME	CAUSE POSSIBLE	SOLUTION
L'éclairage ne s'allume pas.	<ol style="list-style-type: none"> <li>1. L'interrupteur d'éclairage est hors tension.</li> <li>2. L'ampoule est lâche ou grillée.</li> <li>3. Le fusible a sauté ou le disjoncteur a été déclenché.</li> <li>4. La fonction de fermeture pendant le jour est activée.</li> <li>5. Capteur, sans détection de mouvement.</li> <li>6. Mauvais câblage du circuit, dans le cas d'une nouvelle installation.</li> <li>7. La température de l'air extérieur est proche de la température corporelle d'une personne.</li> </ol>	<ol style="list-style-type: none"> <li>1. Mettre l'interrupteur sous tension.</li> <li>2. Vérifier l'ampoule et la remplacer si elle est grillée.</li> <li>3. Remplacer le fusible ou ré-enclencher le disjoncteur.</li> <li>4. Essayer de nouveau après la tombée de la nuit.</li> <li>5. Réglez la commande de sensibilité.</li> <li>6. S'assurer que le câblage est approprié.</li> <li>7. Augmenter le réglage de la sensibilité.</li> </ol>
L'éclairage s'allume en plein jour.	<ol style="list-style-type: none"> <li>1. Le détecteur de mouvement est installé dans un endroit relativement sombre.</li> <li>2. Le commutateur « ON-TIME » est en position « TEST ».</li> </ol>	<ol style="list-style-type: none"> <li>1. Le luminaire fonctionne normalement dans de telles conditions.</li> <li>2. Placez le commutateur « ON-TIME » en position 1, 5 ou 10 minutes.</li> </ol>
L'éclairage s'allume sans raison apparente.	<ol style="list-style-type: none"> <li>1. Le capteur détecte de petits animaux ou la circulation automobile.</li> <li>2. Le réglage de sensibilité est trop élevé.</li> <li>3. Le commutateur « DUALBRITE » est en position 3, 6 ou DUSK TO DAWN.</li> <li>4. La température extérieure est de loin supérieure ou inférieure à la température corporelle d'une personne (été ou hiver).</li> <li>5. Le luminaire est branché à un gradateur ou à une minuterie.</li> </ol>	<ol style="list-style-type: none"> <li>1. Réduisez la sensibilité.</li> <li>2. Réduisez la sensibilité.</li> <li>3. Le luminaire fonctionne normalement dans ces circonstances.</li> <li>4. Réduisez la sensibilité.</li> <li>5. N'utilisez pas de gradateur ni de minuterie pour commander l'éclairage. Remplacez le gradateur ou la minuterie par un interrupteur mural standard.</li> </ol>
L'éclairage demeure allumé continuellement.	<ol style="list-style-type: none"> <li>1. Le capteur peut percevoir une source de chaleur comme une sortie d'air, un événement de sècheuse ou une surface de couleur claire réfléchissant la chaleur.</li> <li>2. Le détecteur de mouvement est en mode manuel.</li> <li>3. La commande d'éclairage est en mode DUALBRITE<sup>MD</sup>.</li> <li>4. Le réglage de portée est trop élevé.</li> <li>5. Le luminaire est branché à un gradateur ou à une minuterie.</li> <li>6. Le luminaire est branché au même circuit qu'un moteur, un transformateur ou un fluorescent.</li> </ol>	<ol style="list-style-type: none"> <li>1. Réduisez la sensibilité.</li> <li>2. Placez le détecteur de mouvement en mode AUTO. Consultez la section <i>Mode manuel</i> à la page 25.</li> <li>3. Faire glisser le commutateur DUALBRITE<sup>MD</sup> en position OFF.</li> <li>4. Réduisez la sensibilité.</li> <li>5. N'utilisez pas de gradateur ni de minuterie pour commander l'éclairage. Remplacez le gradateur ou la minuterie par un interrupteur mural standard.</li> <li>6. Branchez le luminaire à un circuit ne comportant pas de moteur, de transformateur ni de fluorescent.</li> </ol>
L'éclairage clignote.	<ol style="list-style-type: none"> <li>1. La commande d'éclairage est en mode essai et se réchauffe.</li> <li>2. La chaleur qui est réfléchiée par d'autres objets peut affecter la commande d'éclairage.</li> </ol>	<ol style="list-style-type: none"> <li>1. Le clignotement est normal dans ces deux cas.</li> <li>2. Réduisez la sensibilité.</li> </ol>

**Changements saisonniers de température** – Plus la température environnante se rapprochera de la température corporelle d'une personne, moins le détecteur semblera sensible. Plus l'écart de température sera important, plus le détecteur semblera sensible. La commande SENS pourrait devoir être réglée de nouveau, en direction du MIN ou du MAX, à mesure que la température change d'une saison à l'autre. Cela fait partie du fonctionnement normal du détecteur du luminaire.

### FICHE TECHNIQUE

Portée.....	Jusqu'à 9,1 m [varie selon la température environnante]
Angle de détection.....	Jusqu'à 180°
Charge électrique.....	Jusqu'à une ampoule incandescentes, pour un maximum de 100 Watt
Type d'ampoule.....	Culot moyen, type A, 100 W maximum
Capacité du détecteur .....	Tungstène jusqu'à 360 watts (3,0 A) maximum
Courant requis .....	120 V c.a., 60 Hz
Modes de fonctionnement.....	ESSAI, AUTO et MANUEL
Minuterie de fonctionnement.....	1, 5 ou 10 minutes
Minuterie de DUALBRITE <sup>MD</sup> .....	Fermé, 3, 6 heures, crépuscule-aurore
Minuterie d'essai.....	5 secondes
Minuterie du mode MANUEL .....	Du coucher au lever du soleil

## SERVICE TECHNIQUE

**Veillez faire le 1 800 858-8501 (service en anglais seulement) pour obtenir de l'aide avant de retourner l'article au magasin.**

En cas de problème, suivez ce guide. Vous pouvez aussi visiter notre site Web à [www.hzsupport.com](http://www.hzsupport.com). Si le problème persiste, composez\* le **1 800 858-8501** (service en anglais seulement), entre 8 h 00 et 17 h 00, HNC, du lundi au vendredi. Vous pouvez aussi écrire au :

HeathCo LLC

P.O. Box 90045

Bowling Green, KY 42102-9045

ATTN: Technical Service (Service technique)

\* Lors d'un appel au service technique, veuillez avoir les renseignements suivants à portée de main : numéro du modèle, date d'achat et endroit de l'achat.

**Aucune pièce de rechange n'est disponible pour ce produit.**

**Veillez conserver le reçu portant la date d'achat; vous en aurez besoin pour toutes vos demandes liées à la garantie.**

### GARANTIE LIMITÉE DE 3 ANS

Il s'agit d'une « Garantie limitée » qui vous confère des droits juridiques spécifiques. Vous pouvez également jouir d'autres droits, variables d'une province à l'autre.

Pendant une période de 3 ans à compter de la date d'achat, toute anomalie de fonctionnement imputable à un vice de matériel ou de main-d'oeuvre sera corrigée gratuitement.

**Exclusions de la garantie** - Réparations, réglage et calibrage dus à une mauvaise utilisation, un mauvais traitement ou à la négligence. Les ampoules, les piles et des autres articles non durables ne sont pas couverts par cette garantie. Le service non autorisé ou la modification du produit ou d'un ou l'autre de ses composants fournis invalidera totalement la présente garantie. Cette garantie n'inclut pas le remboursement pour le dérangement, l'installation, le réglage, la perte d'utilisation, le service non autorisé ou les frais d'expédition pour le renvoi de la marchandise.

**Exclusions de la garantie sur le fini** - Le fini des luminaires installés à l'extérieur peut changer en raison de l'exposition prolongée au soleil, aux polluants et aux intempéries. Les finis métalliques vieillissent avec le temps, de sorte que leur apparence change pour adopter un fini patiné. La peinture des luminaires extérieurs peut se décolorer avec le temps, selon le degré d'exposition de l'appareil aux éléments extérieurs. Par conséquent, la décoloration, la dégradation de la couleur et l'apparence patinée du fini d'un luminaire extérieur ne peuvent faire l'objet d'une demande d'indemnisation en vertu de la garantie ci-dessus. Consultez la section Entretien et maintenance à la page 25 pour connaître la procédure appropriée de nettoyage du luminaire.

La garantie ne couvre que les produits assemblés HeathCo LLC et ne s'étend pas aux autres équipements et composants que le client pourrait utiliser conjointement avec nos produits.

**CETTE GARANTIE TIEN EXPRESSÉMENT LIEU DE TOUTES AUTRES GARANTIES, EXPLICITES OU IMPLICITES, Y COMPRIS DE TOUTE GARANTIE DE REPRÉSENTATION OU DE CONDITION DE CONVENANCE À LA COMMERCIALISATION OU À L'EFFET QUE LES PRODUITS CONVIENTENT À UN BUT OU À UNE UTILISATION PARTICULIÈRE, ET SPÉCIFIQUEMENT DE TOUTS DOMMAGES SPÉCIAUX, DIRECTS, INDIRECTS OU SECONDAIRES.**

**LE REMPLACEMENT OU LA RÉPARATION CONSTITUENT LE SEUL RECOURS DU CLIENT ET HEATHCO LLC NE POURRA ÊTRE TENU RESPONSABLE DE TOUTS DOMMAGES SPÉCIAUX, DIRECTS, INDIRECTS OU SECONDAIRES, Y COMPRIS, SANS S'Y LIMITER, LES PERTES COMMERCIALES ET PERTES DE PROFIT, QU'ELLES SOIENT PRÉVISIBLES OU NON.** Certaines provinces n'autorisent pas l'exclusion ou la limitation des dommages indirects ou secondaires, et la limitation ou l'exclusion ci-dessus pourrait ne pas s'appliquer à vous.

**Veillez conserver le reçu portant la date d'achat; vous en aurez besoin pour toutes vos demandes liées à la garantie.**

HeathCo LLC se réserve le droit d'abandonner tout produit et d'en changer les spécifications, en tout temps et sans contracter quelque obligation que ce soit quant à l'incorporation de nouvelles caractéristiques aux produits déjà vendus.

# **Heath<sup>®</sup>Zenith**

**Purchase Information**  
**Información de la compra**  
**Renseignements d'achat**

**Model #:** \_\_\_\_\_

**Nº de modelo / Nº de modèle**

**Date of Purchase:** \_\_\_\_\_

**Fecha de compra / Date d'achat**

**Staple Purchase Receipt Here**  
**Engrape aquí el recibo de compra**  
**Agrafez le reçu d'achat ici**

**PLEASE KEEP YOUR DATED SALES RECEIPT,  
IT IS REQUIRED FOR ALL WARRANTY REQUESTS.**

**POR FAVOR GUARDE SU RECIBO DE VENTA FECHADO; SE LO  
REQUIERE PARA CUALQUIER SOLICITUD DE GARANTÍA.**

**VEUILLEZ CONSERVER LE REÇU PORTANT LA DATE D'ACHAT;  
VOUS EN AUREZ BESOIN POUR TOUTES VOS DEMANDES LIÉES  
À LA GARANTIE.**