

# Heath<sup>®</sup>Zenith

## Motion Sensing Porch Light

Model 4305

### FEATURES

- Light comes on when motion is detected.
- Automatically turns light off.
- Photocell keeps the light off during daylight hours.

This package includes:

- Porch Light
- Easy to use Universal Mounting Bracket
- Mounting Hardware
- Wire Nuts
- Lens Shield

### REQUIREMENTS

- The light control requires 120 volts AC.
- If you want to use Manual Mode, the control must be wired through a switch.
- **Some electrical codes require installation by a qualified electrician.**

**Before installation, record the model number listed inside the fixture. Attach receipt in case of possible warranty issues.**

**Model Number:** \_\_\_\_\_

### OPERATION

Mode:	On-Time	Works:	Day	Night
<b>Test</b>	5 Seconds		x	x
<b>Auto</b>	1, 5, or 10 Min			x
<b>Manual</b>	To Dawn*			x

\* resets to Auto Mode at dawn.

*Note:* When first turned on wait about 1 1/2 minutes for the circuitry to calibrate.

### TEST

Set the ON-TIME switch on the sensor to TEST.

ON-TIME

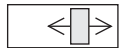


TEST 1 5 10 MIN

### AUTO

Set ON-TIME switch to 1, 5, or 10 minutes.

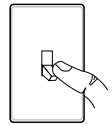
ON-TIME



TEST 1 5 10 MIN

### MANUAL MODE

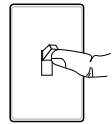
Manual mode only works at night because daylight returns the sensor to AUTO.



1 Second  
OFF then...

Flip the light switch off for one second then back on to toggle between AUTO and MANUAL MODE.

Manual mode works only with the ON-TIME switch in the 1, 5, or 10 position.



... back on.

### MODE SWITCHING SUMMARY

TEST

**ON-TIME Switch at 1, 5, or 10 minutes**

AUTO

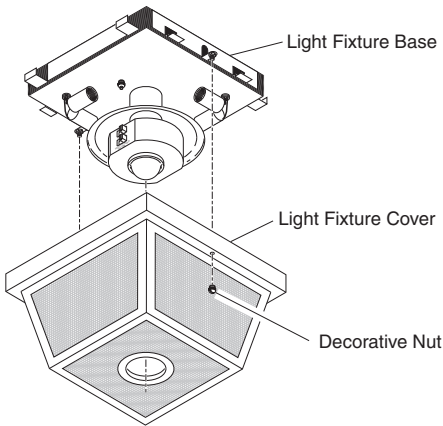
**Flip light switch off for one second then back on\***

MANUAL MODE

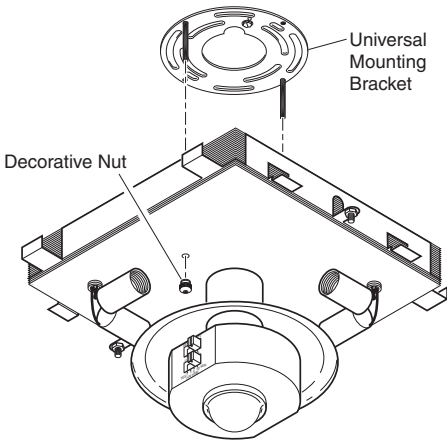
\* If you get confused while switching modes, turn the power off for one minute, then back on. After the calibration time the control will be in the AUTO mode.

## DISASSEMBLE LIGHT FIXTURE

1. Remove two decorative nuts from light fixture cover.
2. Remove cover from base.



3. Remove two decorative nuts from fixture screws in universal mounting bracket.
4. Remove universal mounting bracket from base.

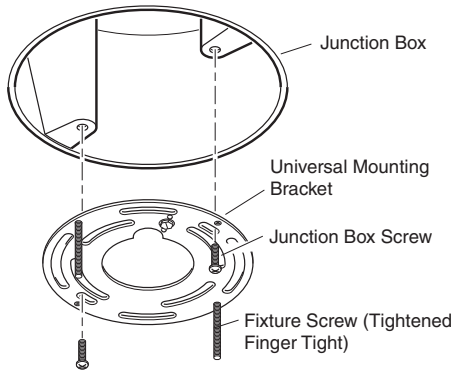


## INSTALL UNIVERSAL MOUNTING BRACKET

For best performance, mount the fixture at least 8 feet (2.4 m) above the ground.

**WARNING:** Turn power off at circuit breaker or fuse.

1. Tighten the two fixture screws finger tight.
2. Attach universal mounting bracket to junction box securely with the two screws provided.



## WIRING LIGHT FIXTURE

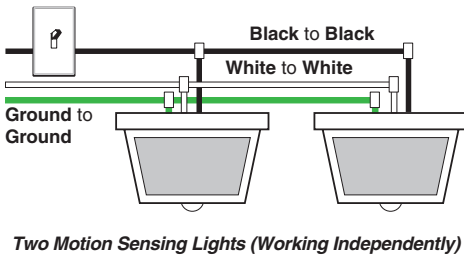
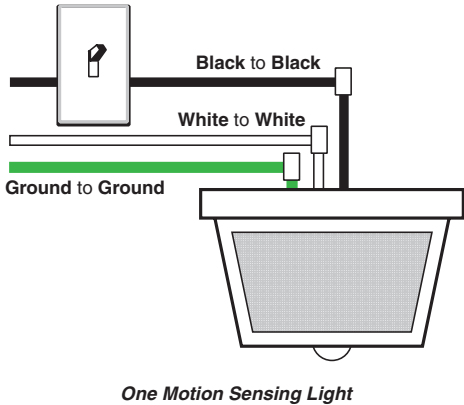
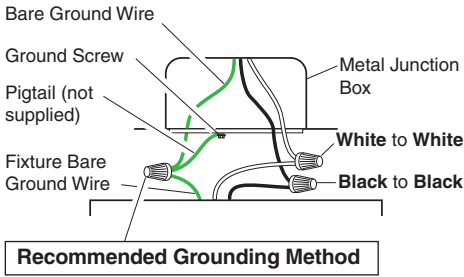
1. Connect the junction box wires and the fixture wires together as shown in the following diagrams.

**CAUTION:** DO NOT remove wire connector from RED wire or connect the RED wire unless you want to control other lights from this motion sensor fixture.

2. Twist and secure wires with wire nuts.



*Note:* If you have a metal junction box use the recommended grounding method shown in the following illustration. If you are uncertain about the grounding method, consult your local building code.

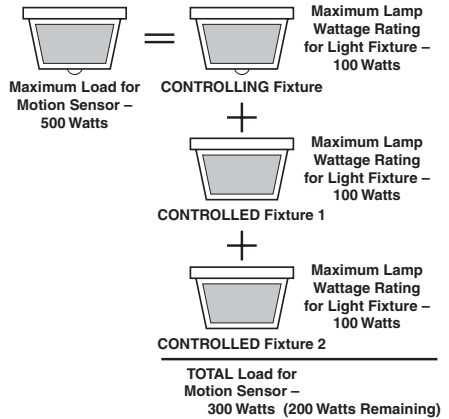


## Other Wiring Options

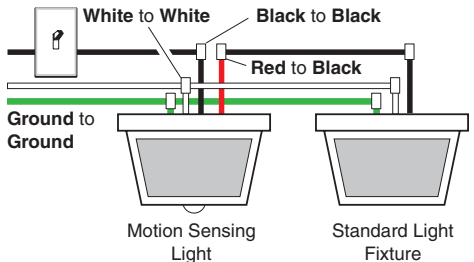
This fixture can be wired to control another standard or motion sensing light fixture(s). See the following wiring diagrams for proper connections.

*Note:* All wiring should be run in accordance with the National Electrical Code through conduit or another acceptable means. **Contact a qualified electrician if there is any question as to the suitability of the system.**

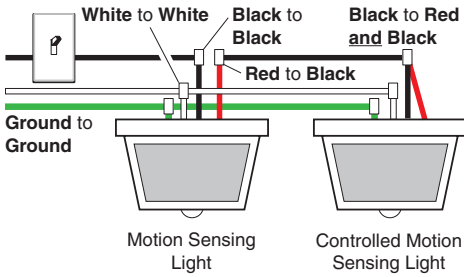
When controlling an additional light fixture(s), the maximum wattage of the motion sensor on this fixture should be observed. See illustration below for an example of a maximum lamp wattage load calculation.



**IMPORTANT:** When determining the maximum lamp wattage rating of the fixture to be controlled, refer to the maximum lamp wattage label on the fixture and not the wattage rating on the lamp(s) currently installed in the fixture.



**Wiring Motion Sensing Light to Control Standard Fixture**

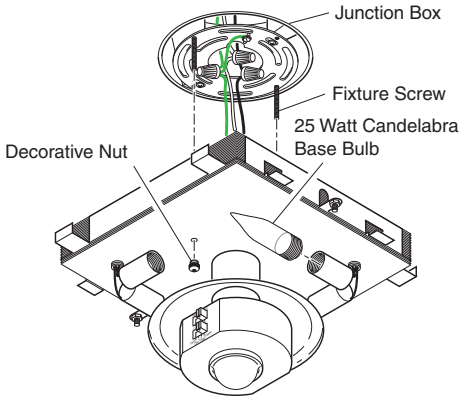


**Wiring Motion Sensing Light to Control Another Motion Sensing Light**

It is also possible to wire two motion sensing lights so that either unit will turn on both lights at the same time (dual controlled system). It is recommended that only people with electrical wiring experience attempt this configuration. Please call our customer service number (1-800-858-8501) before attempting this wiring. **If the dual controlled wiring is not done correctly, it can destroy both motion sensing fixtures and void your warranty.**

**INSTALL FIXTURE BASE TO JUNCTION BOX**

1. Push wires into the junction box.
2. Slide light fixture base onto fixture screws and tighten decorative nuts snugly against the base.
3. Install four candelabra base light bulbs (**25 Watts maximum each**).
4. Refer to TESTING section before installing cover.
5. After switches are set and testing is complete, use the 2 decorative nuts to install the cover.

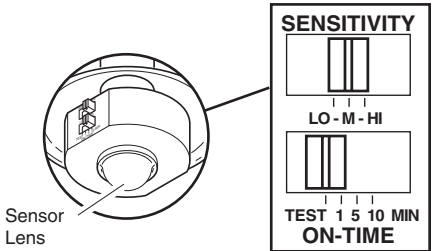


**TESTING**

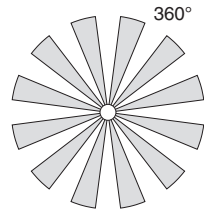
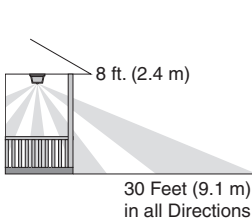
1. Turn on the circuit breaker and light switch.

*Note:* Sensor has a 1 1/2 minute warm up period before it will detect motion. When first turned on wait 1 1/2 minutes.

2. Set the SENSITIVITY switch to the "M" position and the ON-TIME switch to the TEST position.



3. Walk through the coverage area noting where you are when the lights turn on. In TEST mode, light will stay on for only 5 seconds then turn off.
4. Adjust the SENSITIVITY to increase or decrease the range as needed. Too much sensitivity may cause false triggering due to heat sources in the coverage area (see *Adjustment of Coverage Area* or *Troubleshooting* section).
5. Set the amount of TIME you want the light to stay on after motion is detected (1, 5, or 10 minutes).

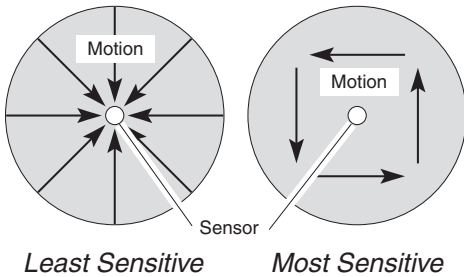


*Maximum Range*

*Coverage Angle\*  
(Top View)*

\* Without lens shield installed.

The sensor is less sensitive to motion directly towards it and more sensitive to motion across coverage area.

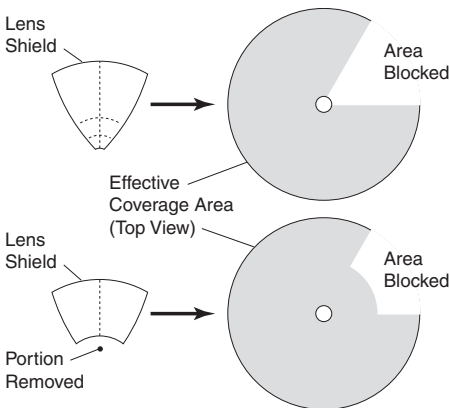


### Adjustment of Coverage Area

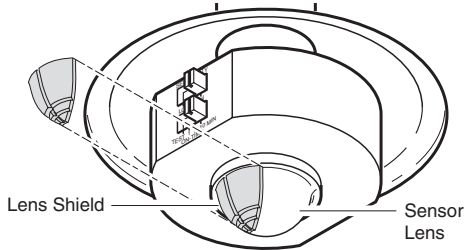
The sensor on this light fixture detects “motion” by the movement of heat (body heat) across the coverage area. However, following are examples of objects that also produce heat and can cause the sensor to false trigger:

- Pools of Water
- Air Conditioners
- Dryer Vents
- Fenced-In Animals
- Heating Vents
- Automobile Traffic

If you suspect that a heat source of this type is falsely triggering the sensor and reducing the sensitivity does not solve the problem, then a lens shield (included) can be installed. The plastic lens shield is divided into 6 sections. Each section will reduce the coverage angle by 30 degrees. Also, the tip of each section may be removed to change the effective range of the sensor.



1. Break off the amount of lens shield needed to block the desired area of coverage.
2. Cut desired amount of foam tape needed to adhere the lens shield to the sensor lens.
3. Remove paper backing from one side of cut foam tape and adhere to inside of lens shield.
4. Remove paper backing from other side of cut foam tape and adhere lens shield to sensor lens.



5. Retest to confirm that the sensor is no longer false triggering.

*Note:* To help determine amount of lens shield required, apply small sections one at a time. Additional sections can be applied if necessary.

### SPECIFICATIONS

- Range ..... Up to 30 ft. (9.1 m)  
[varies with surrounding temperature].
- Sensing Angle ..... 360°
- Electrical Load ..... Up to 100 Watt Maximum Tungsten Incandescent (Up to 25 Watt Maximum each lamp holder).
- Bulb Type ..... Candelabra Base, Type “B”, 25 Watt Maximum
- Sensor Capacity ..... Up to 500 Watt (4.2 A.) Maximum Tungsten Incandescent
- Power Requirements .... 120 VAC, 60 Hz
- Operating Modes ..... TEST, AUTO, and MANUAL MODE
- ON-Timer ..... 1, 5, 10 minutes

## TROUBLESHOOTING GUIDE

SYMPTOM	POSSIBLE CAUSE
<b>Light will not come on.</b>	<ol style="list-style-type: none"> <li>1. Light switch is turned off.</li> <li>2. Bulbs are loose or burned out.</li> <li>3. Fuse is blown or circuit breaker is turned off.</li> <li>4. Daylight turn-off is in effect (<i>re-check after dark</i>).</li> <li>5. Incorrect circuit wiring, if this is a new installation.</li> </ol>
<b>Light comes on in daylight.</b>	<ol style="list-style-type: none"> <li>1. Sensor may be installed in a relatively dark location.</li> <li>2. Sensor is in Test. (<i>Set control switch to an ON-TIME position.</i>)</li> </ol>
<b>Light comes on for no apparent reason.</b>	<ol style="list-style-type: none"> <li>1. Sensor may be sensing small animals or automobile traffic. (<i>Reduce sensitivity.</i>)</li> <li>2. Sensitivity is set too high. (<i>Reduce sensitivity.</i>)</li> </ol>

SYMPTOM	POSSIBLE CAUSE
<b>Light stays on continuously.</b>	<ol style="list-style-type: none"> <li>1. There is a heat source like an air vent, dryer vent, or brightly-painted, heat-reflective surface in the coverage area. (<i>Install shield on sensor in the direction of heat source.</i>)</li> <li>2. Sensor is in Manual Mode. (<i>Switch to Auto.</i>)</li> <li>3. Sensitivity is set too high. (<i>Reduce sensitivity.</i>)</li> </ol>
<b>Light flashes on and off.</b>	<ol style="list-style-type: none"> <li>1. Heat being reflected from other objects may be affecting the sensor. (<i>Reduce sensitivity.</i>)</li> <li>2. Sensor is in the Test mode. (<i>While in TEST mode, light only stays on for 5 seconds.</i>)</li> </ol>
<b>Light does not stay on in Manual mode.</b>	<ol style="list-style-type: none"> <li>1. Nearby large, light-colored objects reflecting light may trigger the shut-off feature. Do not point other lights at the sensor.</li> </ol>

This device complies with Part 15 of the FCC Rules. Operation is subject to the following two conditions: (1) this device may not cause harmful interference, and (2) this device must accept any interference received, including interference that may cause undesired operation.

CAN ICES-3 (B)/NMB-3(B)

## TECHNICAL SERVICE

**Please call 1-800-858-8501 (English speaking only) for assistance before returning product to store.**

If you experience a problem, follow this guide. You may also want to visit our Web site at: [www.hzsupport.com](http://www.hzsupport.com). If the problem persists, call\* for assistance at **1-800-858-8501** (English speaking only), 8:00 AM to 5:00 PM CST (M-F). You may also write\* to:

HeathCo LLC  
P.O. Box 90045  
Bowling Green, KY 42102-9045  
ATTN: Technical Service

\* If contacting Technical Service, please have the following information available: Model Number, Date of Purchase, and Place of Purchase.

### **No Service Parts Available for this Product**

**Please keep your dated sales receipt, it is required for all warranty requests.**

### **TWO YEAR LIMITED WARRANTY**

This is a "Limited Warranty" which gives you specific legal rights. You may also have other rights which vary from state to state or province to province.

For a period of two years from the date of purchase, any malfunction caused by factory defective parts or workmanship will be corrected at no charge to you.

**Not Covered** - Repair service, adjustment and calibration due to misuse, abuse or negligence, light bulbs, batteries, and other expendable items are not covered by this warranty. Unauthorized service or modification of the product or of any furnished component will void this warranty in its entirety. This warranty does not include reimbursement for inconvenience, installation, setup time, loss of use, unauthorized service, or return shipping charges.

This warranty covers only HeathCo LLC assembled products and is not extended to other equipment and components that a customer uses in conjunction with our products.

**THIS WARRANTY IS EXPRESSLY IN LIEU OF ALL OTHER WARRANTIES, EXPRESS OR IMPLIED, INCLUDING ANY WARRANTY, REPRESENTATION OR CONDITION OF MERCHANT ABILITY OR THAT THE PRODUCTS ARE FIT FOR ANY PARTICULAR PURPOSE OR USE, AND SPECIFICALLY IN LIEU OF ALL SPECIAL, INDIRECT, INCIDENTAL, OR CONSEQUENTIAL DAMAGES.**

**REPAIR OR REPLACEMENT SHALL BE THE SOLE REMEDY OF THE CUSTOMER AND THERE SHALL BE NO LIABILITY ON THE PART OF HEATHCO LLC FOR ANY SPECIAL, INDIRECT, INCIDENTAL, OR CONSEQUENTIAL DAMAGES, INCLUDING BUT NOT LIMITED TO ANY LOSS OF BUSINESS OR PROFITS, WHETHER OR NOT FORESEEABLE.** Some states or provinces do not allow the exclusion or limitation of incidental or consequential damages, so the above limitation or exclusion may not apply to you.

**Please keep your dated sales receipt, it is required for all warranty requests.**

HeathCo LLC reserves the right to discontinue products and to change specifications at any time without incurring any obligation to incorporate new features in products previously sold.

# Heath<sup>®</sup>Zenith

## Lámpara de portal con detector de movimiento

Modelo 4305

### CARACTERÍSTICAS

- La luz se prende cuando se detecta movimiento.
- Apaga la luz automáticamente.
- La fotocélula mantiene la luz apagada durante las horas del día.

Este paquete contiene:

- Lámpara del pórtico
- Soporte universal de fácil uso
- Ferretería de montaje
- Conectores de alambre
- Cubierta de la placa traslúcida

### REQUISITOS

- El control de luz requiere 120 VCA.
- Para usar el Sobrecontrol Manual, conecte el control con un interruptor.
- **Algunos códigos requieren instalación por un electricista calificado.**

### FUNCIONAMIENTO

Modalidad:	A tiempo:	Trabaja: Día	Noche
<b>Prueba</b>	5 segundos	x	x
<b>Autom.</b>	1, 5 o 10 min.		x
<b>Manual</b>	Hasta el amanecer*		x

\*Se pone en Automático al amanecer.

Nota: Cuando lo prenda por primera vez espere 1 1/2 minutos para que el circuito se calibre.

### PRUEBA


Ponga el interruptor de ON-TIME (DURACIÓN) del detector en TEST (PRUEBA).



**TEST 1 5 10 MIN**

### AUTOMATICO

Ponga el interruptor de tiempo (ON-TIME) en la posición de 1, 5 o 10 minutos.



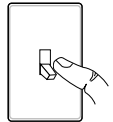
**TEST 1 5 10 MIN**

### MODO MANUAL

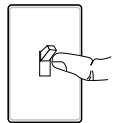
El modo manual funciona sólo por la noche porque la luz del día pone al detector en modo AUTOMATICO.

Apague el interruptor por un segundo y vuélvalo a prender.

El modo manual funciona sólo cuando el interruptor de tiempo (ON-TIME) está en la posición de 1, 5 o 10 minutos.



1 segundo  
APAGADO  
luego...



...préndalo.

### RESUMEN DE LAS MODALIDADES DEL INTERRUPTOR

**PRUEBA** → *Mueva el interruptor de tiempo (ON-TIME) a 1, 5 o 10 minutos*

**AUTOM.** ← *Apague el interruptor por un segundo y préndalo de nuevo\**

**MODO MANUAL** ← *Apague el interruptor por un segundo y préndalo de nuevo\**

\* Si se confunde mientras cambia de fases, apague la electricidad por un minuto y préndala de nuevo. Después del tiempo de calibración el control estará en fase AUTO(MATICA).

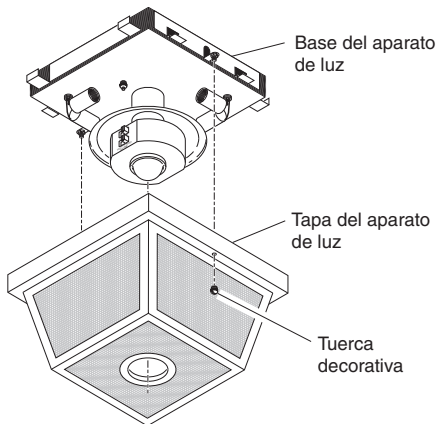
**Antes de instalar, registre el número del modelo mostrado dentro del aparato. Fije el recibo en caso posibles reclamos por la garantía.**

Número del modelo: \_\_\_\_\_

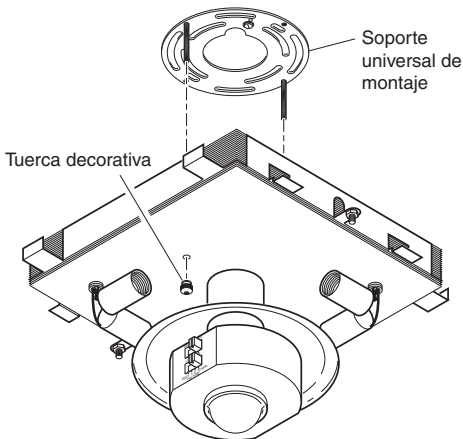


## DESARME EL APARATO DE LUZ

1. Retire las dos tuercas decorativas de la tapa del aparato de luz.
2. Retire la tapa de la base.



3. En el soporte universal de montaje retire de los tornillos del aparato las dos tuercas decorativas.
4. Retire de la base el soporte universal de montaje.

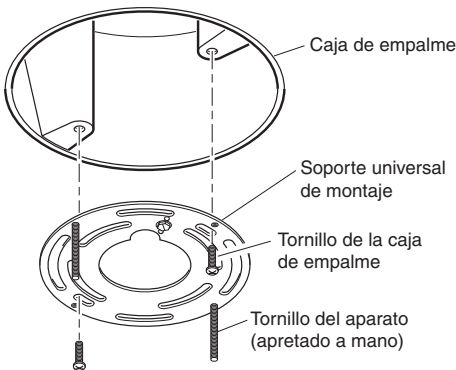


## INSTALE EL SOPORTE UNIVERSAL DE MONTAJE

Para un mejor desempeño, monte el aparato a lo menos a 2,4m del suelo.

**⚠ ADVERTENCIA: Desconecte la energía en el disyuntor.**

1. Apriete a mano los dos tornillos del aparato.
2. Sujete bien el soporte universal de montaje a la caja de empalme usando los dos tornillos provistos.



## CABLEADO DEL APARATO DE LUZ

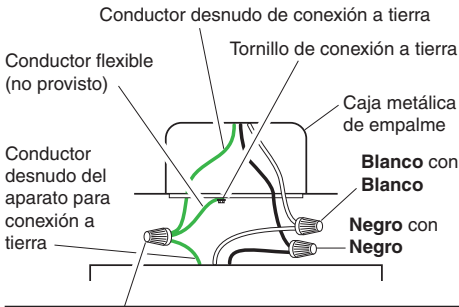
1. Conecte los conductores de la caja de empalme apretándolos juntos con los conductores del aparato como se muestra en los esquemas que siguen.

**⚠ CUIDADO: NO retire el conector de alambre del conductor rojo ni conecte el conductor ROJO a no ser que desee controlar otras luces desde este aparato detector de movimiento.**

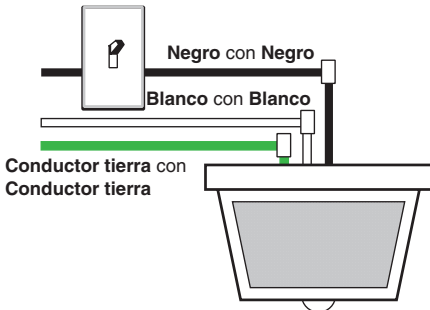
2. Tuerza y asegure los conductores con conectores de alambre.



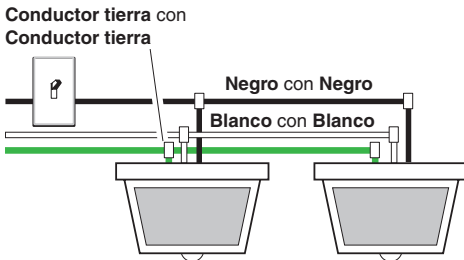
*Nota:* Si tiene una caja de empalme metálica use el método de conexión a tierra recomendado que se indica en la siguiente ilustración. Si tiene dudas del método de conexión a tierra, consulte el código local de construcción.



**Método recomendado de conexión a tierra**



*Una lámpara detectora de movimiento*



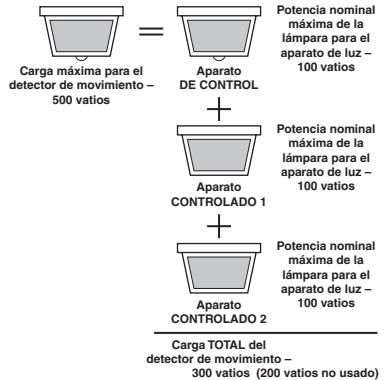
*Dos lámparas detectoras de movimiento (trabajando independientemente)*

**Otras opciones de cableado**

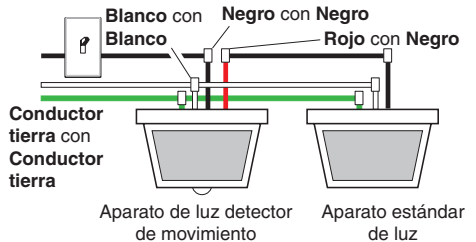
Este aparato puede cablearse para controlar otro(s) aparato(s) de luz estándar o detectores de movimiento. Vea en los siguientes esquemas las conexiones apropiadas.

*Nota:* Todo el cableado debe ser hecho de acuerdo al Código Eléctrico Nacional por medio de conductos para cables u otras formas aceptables. **Póngase en contacto con un electricista calificado si existe duda sobre la aptitud del sistema.**

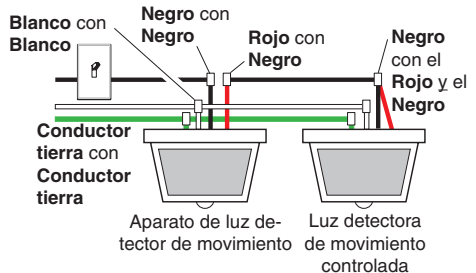
Cuando controle aparato(s) de luz adicionales, debe observarse la potencia máxima del detector de movimiento de este aparato. Vea en la ilustración de abajo un ejemplo para el cálculo de la potencia máxima de la lámpara.



**IMPORTANTE:** Cuando determine la potencia nominal máxima de la lámpara del aparato a ser controlado vea la potencia máxima en la etiqueta del aparato y no la potencia nominal en las lámparas que están actualmente instaladas en el aparato.



**Cableado del aparato de luz detector de movimiento para controlar un aparato de luz estándar**

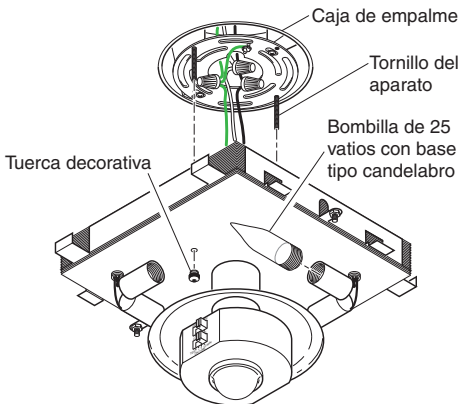


**Luz detectora de movimiento que controla otra luz detectora de movimiento**

Es también posible cablear dos luces detectoras de movimiento de modo que cualquiera de ellas encienda ambas luces al mismo tiempo (sistema de control doble). Se recomienda que sólo personas con amplios conocimientos de electricidad conecten este tipo de configuración. Por favor contacto con nuestro departamento de asistencia al cliente antes hacer este tipo de conexión (vea *Servicio Técnico*). **Si el cableado del control doble no es hecho correctamente, puede destruir ambos aparatos detectores de movimiento e invalidar su garantía.**

## INSTALE LA BASE DEL APARATO A LA CAJA DE EMPALME

1. Empuje los conductores hacia la caja de empalme.
2. Deslice la base del aparato por los tornillos del aparato y apriete bien las tuercas decorativas contra la base.
3. Instale cuatro bombillas con base tipo candelabro (**de máximo 25 vatios cada una**).
4. Antes de instalar la tapa vea la sección PRUEBA.
5. Luego de calibrar los interruptores y completar la prueba, use las 2 tuercas decorativas para instalar la tapa.

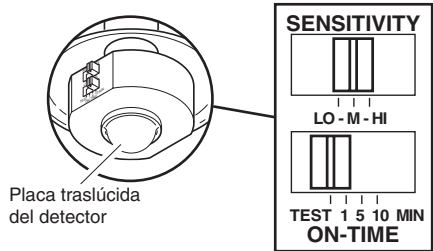


## PRUEBA

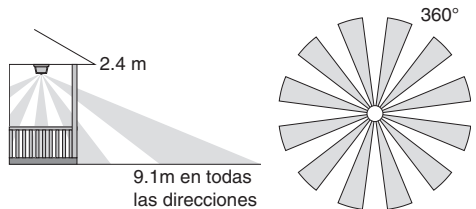
1. **Prenda el cortacircuitos y el interruptor de luz.**

*Nota:* El detector tiene un período de cerca de 1 ½ minutos de calentamiento antes de detectar movimiento. Cuando lo prenda por primera vez, espere 1 ½ minutos.

2. Calibre el interruptor SENSITIVITY (SENSIBILIDAD) poniéndolo en la posición "M" y el interruptor "ON TIME" ("DURACIÓN") en la posición TEST (PRUEBA).



3. Camine por el área de protección dándose cuenta dónde está cuando la luz se prende. En la fase PRUEBA, la luz se encenderá sólo 5 segundos y luego se apagará.
4. Regule la SENSIBILIDAD para aumentar o disminuir el margen según sea necesario. Demasiada sensibilidad puede ocasionar activaciones falsas debido a fuentes de calor en las áreas de cobertura (Vea *Regulación del área de cobertura* o la sección *Guía de investigación de averías*).
5. Fije el período de tiempo (ON-TIME) que la luz debe quedarse prendida después de detectar movimiento (1, 5 o 10 minutos).

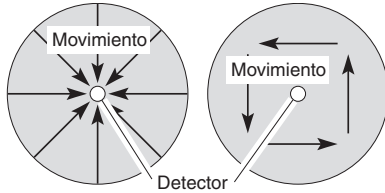


Alcance Máximo

Ángulo de Cobertura Máxima\*  
(Vista desde arriba)

\* Sin la cubierta de la placa traslúcida instalada.

El detector es menos sensible a movimientos hacia el detector y más sensible a movimientos transversales en el área de cobertura.



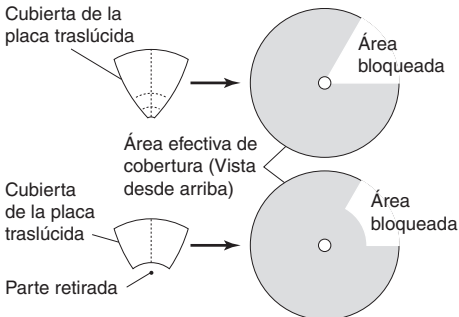
*Lo menos sensible*      *Lo más sensible*

## REGULACIÓN DEL ÁREA DE COBERTURA

El detector de este aparato de luz detecta "movimiento" gracias al movimiento del calor (calor corporal) a través del área de cobertura. Sin embargo, lo que sigue son ejemplos de objetos que pueden también producir calor y hacer que el detector se active erróneamente.

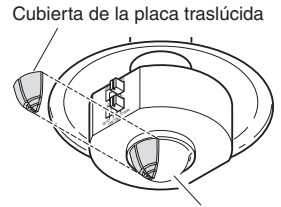
- Charcos de agua
- Acondicionadores de aire
- Respiraderos de secadoras
- Respiraderos de la calefacción
- Animales tras las vallas
- Tráfico automotor

Si usted sospecha que una fuente de calor de este tipo está activando erróneamente el detector y que reduciendo la sensibilidad no soluciona el problema, entonces puede instalarse la cubierta de la placa traslúcida (incluida). La cubierta plástica de la placa traslúcida está dividida en 6 secciones. Cada sección reducirá el área de cobertura en 30 grados. Además, puede retirarse la punta de cada sección para cambiar el alcance efectivo de cada detector.



1. Rompa la cantidad necesaria de cubierta que necesita para bloquear una área deseada de la cobertura.

2. Corte la cantidad necesaria de cinta espumosa que necesita para adherir la cubierta a la placa traslúcida.



3. Retire el papel protector de un lado de la cinta espumosa y adhiérala al interior de la cubierta.
4. Retire el papel protector del otro lado de la cinta espumosa cortada y adhiera la cubierta a la placa traslúcida del detector.
5. Vuelva a probar para confirmar que el detector ya no presenta activaciones erróneas.

*Nota:* Para ayudar a determinar la cantidad de cubierta requerida en la placa traslúcida, ponga las secciones pequeñas una por vez. Si es necesario puede añadir secciones.

## ESPECIFICACIONES

- Alcance..... Hasta 9.1 m (varía con la temperatura del medio ambiente).
- Angulo de detección..... 360°
- Carga Eléctrica..... Hasta un máximo de 100 Vatios de tungsteno incandescente (hasta 25V máximo por cada portalámparas).
- Tipo de bombilla ..... Basecandelabro, tipo "B" de 25 vatios máximo
- Capacidad del Detector .... Hasta un máximo de 500 Vatios (4,2 A.) de tungsteno incandescente
- Requisitos de Energía ..... 120 VCA, 60 Hz
- Fases de Operación ..... FASES DE PRUEBA, AUTOMÁTICO Y MANUAL

Temporizador de duración (del encendido)..... 1, 5, 10 minutos

HeathCo LLC se reserva el derecho de discontinuar productos y de cambiar especificaciones a cualquier momento sin incurrir en ninguna obligación de tener que incorporar nuevas características en los productos vendidos con anterioridad.

## GUIA DE INVESTIGACION DE AVERIAS

SINTOMA	POSIBLE CAUSA
<b>La luz no se enciende.</b>	<ol style="list-style-type: none"> <li>1. El interruptor de luz está apagado.</li> <li>2. Las bombillas están flojas o quemadas.</li> <li>3. El fusible está quemado o el cortacircuitos está apagado.</li> <li>4. La desconexión de luz del día está en efecto. <i>(Compruébelo al anochecer).</i></li> <li>5. Alambrado incorrecto, si ésta es una nueva instalación.</li> </ol>
<b>La luz se prende durante el día.</b>	<ol style="list-style-type: none"> <li>1. El detector debe ser instalado en un lugar relativamente oscuro.</li> <li>2. El detector esta en la posición prueba. <i>(Fije el interruptor del control a la posición de TIEMPO).</i></li> </ol>
<b>La luz se prende sin ninguna razón aparente.</b>	<ol style="list-style-type: none"> <li>1. El detector puede estar detectando animales pequeños o tráfico automotor. <i>(Reduzca la sensibilidad).</i></li> <li>2. La Sensibilidad es demasiado alta. <i>(Apague el Aumento de Distancia).</i></li> </ol>

SINTOMA	POSIBLE CAUSA
<b>La luz se queda prendida continuamente.</b>	<ol style="list-style-type: none"> <li>1. Hay una fuente de calor como ventosas de aire, respiradero de secadora, o hay en el área de cobertura una superficie brillante que refleja calor. <i>(Instale la cubierta en el detector en la dirección de la fuente de calor).</i></li> <li>2. El detector está en fase Manual <i>(Cámbiela a Auto).</i></li> <li>3. La Sensibilidad es demasiado alta. <i>(Apague el Aumento de Distancia).</i></li> </ol>
<b>La luz se prende y se apaga.</b>	<ol style="list-style-type: none"> <li>1. El calor que se refleja de otros objetos pueden estar afectando al detector. <i>(Apague el Aumento de Distancia).</i></li> <li>2. El detector está en la fase Prueba. <i>(Mientras está en la fase PRUEBA, la luz sólo queda encendida por 5 segundos).</i></li> </ol>
<b>La luz no queda encendida en el modo manual.</b>	<ol style="list-style-type: none"> <li>1. Objetos cercanos, grandes y de colores brillantes que reflejan luz pueden activar la característica de apagado. No apunte otras luces hacia el detector.</li> </ol>

Este aparato cumple con la Parte 15 de las Reglas de la FCC. La operación está sujeta a las dos siguientes condiciones: (1) este aparato no puede causar interferencias perjudiciales y (2) este aparato debe aceptar cualquier interferencia recibida, incluyendo una interferencia que pueda causar un funcionamiento indeseado.

CAN ICES-3 (B)/NMB-3(B)

## SERVICIO TÉCNICO

**Favor de llamar al 1-800-858-8501 (sólo para hablar en inglés) para pedir ayuda antes de devolver el producto a la tienda.**

Si tiene algún problema, siga esta guía. Usted puede también visitar nuestro sitio Web: [www.hzsupport.com](http://www.hzsupport.com). Si el problema continúa, llame al **1-800-858-8501** (sólo para hablar en inglés), de 8:00 AM a 5:00 PM CST (L-V). Usted puede también escribir a:

HeathCo LLC

P.O. Box 90045

Bowling Green, KY 42102-9045

ATTN: Technical Service (Servicio Técnico)

\* Si se llama al Servicio Técnico, por favor tener lista la siguiente información: Número de Modelo, Fecha de compra y Lugar de compra.

**No hay piezas de servicio disponibles para este producto.**

**Por favor guarde su recibo de venta fechado; se lo requiere para cualquier solicitud de garantía.**

### GARANTÍA LIMITADA A 2 AÑOS

Esta es una "Garantía Limitada" que le da a Ud. derechos legales específicos. Usted puede también tener otros derechos que varían de estado a estado o de provincia a provincia.

Por un período de 2 años desde la fecha de compra, cualquier mal funcionamiento ocasionado por partes defectuosas de fábrica o mano de obra será corregido sin cargo para Ud.

**No cubierto** - Servicio de reparación, ajuste y calibración debido al mal uso, abuso o negligencia, bombillas, baterías, u otras partes fungibles no están cubiertas por esta garantía. Los Servicios no autorizados o modificaciones del producto o de cualquier componente que se provee invalidarán esta garantía en su totalidad. Esta garantía no incluye reembolso por inconveniencia, instalación, tiempo de instalación, pérdida de uso, servicio no autorizado, o costos de transporte de retorno.

Esta garantía cubre solamente los productos ensamblados por HeathCo LLC y no se extiende a otros equipos o componentes que el consumidor usa junto con nuestros productos.

**ESTA GARANTÍA ESTÁ EXPRESAMENTE EN LUGAR DE OTRAS GARANTÍAS, EXPRESADAS O SOBREENTENDIDAS, INCLUYENDO CUALQUIER GARANTÍA, REPRESENTACIÓN O CONDICIÓN DE COMERCIABILIDAD O QUE LOS PRODUCTOS SE ADAPTEN PARA CUALQUIER PROPÓSITO O USO EN PARTICULAR, Y ESPECIFICAMENTE EN LUGAR DE TODOS LOS DAÑOS ESPECIALES, INDIRECTOS, INCIDENTALES Y CONSECUENTES.**

**LA REPARACIÓN O EL REEMPLAZO DEBERÍA SER LA ÚNICA SOLUCIÓN DEL CLIENTE Y NO HABRÁ RESPONSABILIDAD POR PARTE DE HEATHCO LLC POR CUALQUIER DAÑO ESPECIAL, INDIRECTO, INCIDENTAL O CONSECUENTE, INCLUIDOS PERO NO LIMITADOS A CUALQUIER PÉRDIDA DE NEGOCIO O GANACIAS SEAN O NO PREVISIBLES.** Algunos estados o provincias no permiten la exclusión o limitación de daños incidentales o consecuentes, de modo que la limitación o exclusión arriba indicada puede que no se aplique a Ud.

**Por favor guarde su recibo de venta fechado; se lo requiere para cualquier solicitud de garantía.**

# Heath® Zenith

## Luminaire de véranda à détecteur de mouvement

Modèle 4305

### CARACTÉRISTIQUES

- Allume l'éclairage lorsqu'un mouvement est détecté.
- Éteint automatiquement l'éclairage.
- Photocellule qui maintient l'éclairage éteint pendant la période de lumière du jour.

Cet emballage contient:

- Lampe d'entrée
- Console de montage universelle facile à utiliser
- Ferrures de montage
- Coinceur câblé
- Protecteur de lentille

### EXIGENCES

- La commande d'éclairage nécessite une alimentation 120 volts c.a.
- Si vous désirez utiliser la priorité manuelle, la commande doit être branchée à un interrupteur.
- **Certains codes de bâtiment locaux peuvent exiger que l'installation soit faite par un électricien qualifié.**

### FONCTIONNEMENT

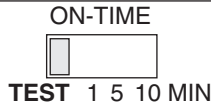
Mode :	Temps en circuit :	En fonction :	
		jour	nuit
<b>Essai</b>	5 secondes	x	x
<b>Auto</b>	1, 5, ou 10 min.		x
<b>Manuel</b>	au choix, amanecer*		x

\* Revient au mode automatique au lever du soleil.

Note: Après mise en circuit, attendre environ 1 1/2 minute pour que l'étalonnage du circuit soit complété.

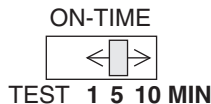
### ESSAI

Placez le commutateur ON-TIME à la position TEST.



### AUTOMATIQUE

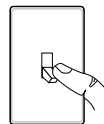
Amener l'interrupteur de temps en circuit (ON-TIME) à la position correspondant à 1, 5 ou 10 minutes.



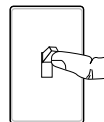
### PRIORITÉ MANUELLE

Le mode manuel ne fonctionne que la nuit parce que la lumière du jour remet le capteur en mode AUTO. Mettre l'interrupteur hors circuit pendant une seconde, plus en circuit pour alterner entre les modes AUTO et MANUEL.

Le mode manuel ne fonctionne que lorsque l'interrupteur ON-TIME est aux positions 1, 5 ou 10.

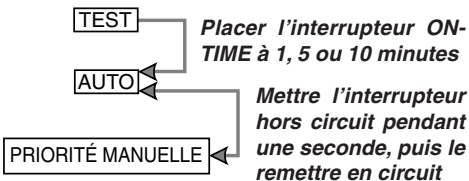


hors circuit pendant 1 seconde, puis ...



... à nouveau en circuit

### RÉSUMÉ DU MODE DE COMMUTATION



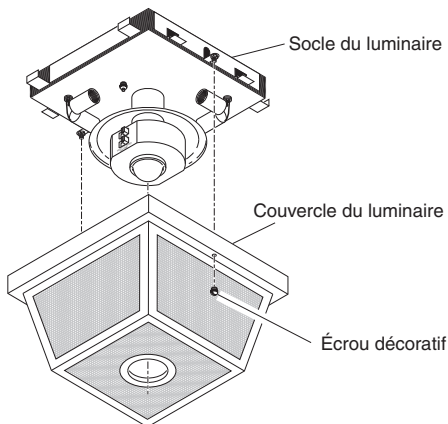
\* Si vous ne savez plus dans quel mode se trouve l'appareil, couper l'alimentation pendant une minute puis la rétablir. Après le temps d'étalonnage, la commande reviendra au mode AUTO.

**Avant l'installation, inscrivez ici le numéro de modèle qui se trouve à l'intérieur de l'appareil. Joignez-y le reçu d'achat pour les réclamations sous garantie.**

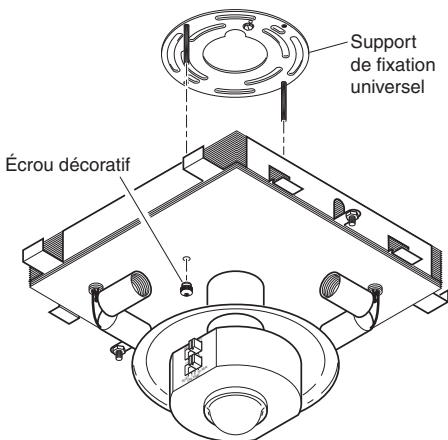
**Numéro de modèle :**

## DÉMONTAGE DU LUMINAIRE

1. Retirez les deux écrous décoratifs du couvercle du luminaire.
2. Retirez le socle du luminaire.



3. Retirez les deux écrous décoratifs des vis du luminaire du support de fixation universel.
4. Retirez le support de fixation universel du socle.

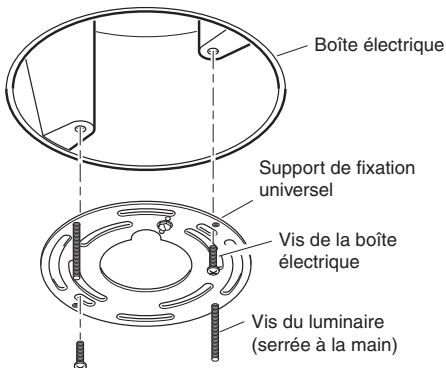


## INSTALLATION DU SUPPORT DE FIXATION UNIVERSEL

Pour de meilleurs résultats, installez l'appareil à au moins 2,4 m du sol.

**⚠ MISE EN GARDE : Coupez l'alimentation au disjoncteur ou au fusible.**

1. Serrez les deux vis du luminaire à la main.
2. Fixez le support de fixation universel à la boîte électrique au moyen des deux vis fournies.



## BRANCHEMENT DES FILS

1. Raccordez les fils de la boîte électrique aux fils du luminaire, comme illustré dans le diagramme ci-dessous.

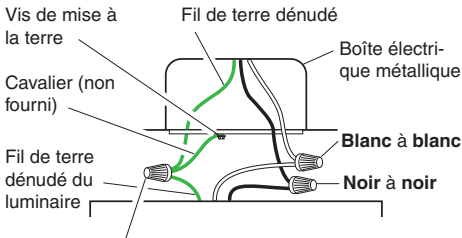
**⚠ ATTENTION : NE RETIREZ PAS le connecteur du fil ROUGE et ne raccordez pas le fil ROUGE, à moins que vous ne désiriez raccorder d'autres luminaires à ce luminaire à détecteur de mouvement.**

2. Torsadez les fils, puis fixez-les au moyen d'un connecteur.

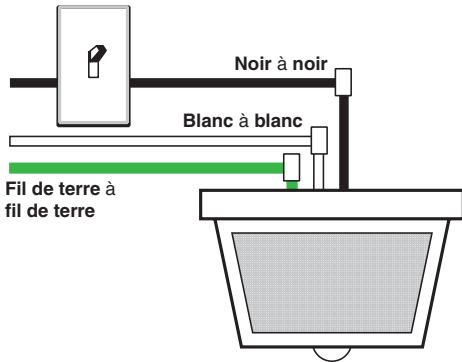


*Note* : Si vous utilisez une boîte électrique métallique, suivez la méthode de mise à la terre indiquée dans l'illustration suivante. Si vous n'êtes pas certain de la méthode à utiliser, consultez le code du bâtiment local.

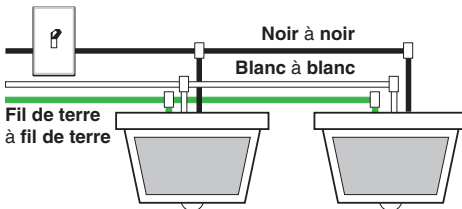




Méthode de mise à la terre recommandée



Un luminaire à détection de mouvement



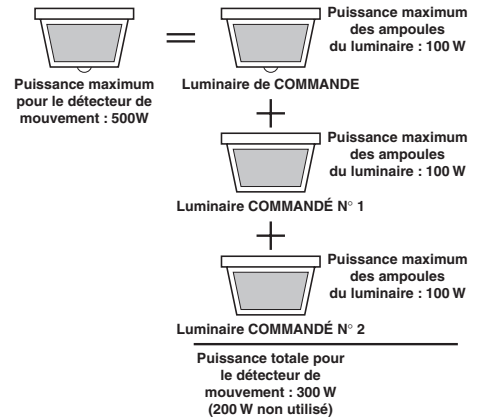
Deux luminaires à détection de mouvement (fonctionnant de façon indépendante)

## Autres options de raccordement

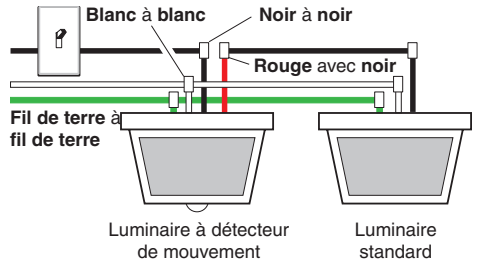
Ce luminaire peut être branché de façon à commander un autre luminaire, avec ou sans détecteur de mouvement. Consultez le diagramme de câblage ci-dessous pour effectuer les connexions appropriées.

**Note :** Le câblage doit être conforme aux exigences du Code canadien de l'électricité et être dans une canalisation ou un autre moyen acceptable. **Si vous avez des doutes sur la convenance du système, communiquez avec un électricien compétent.**

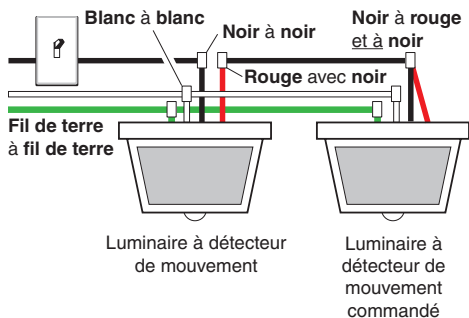
Lors de la commande d'un autre luminaire, vous devez respecter la puissance maximum du détecteur de mouvement de ce luminaire. Consultez l'illustration ci-dessous pour un exemple du calcul de la puissance maximum des ampoules de ce luminaire.



**IMPORTANT :** Lors de la détermination de la puissance maximum des ampoules du luminaire commandé, vérifiez la puissance maximum inscrite sur l'étiquette et non pas celle inscrite sur les ampoules actuellement installées dans le luminaire.



Raccordement d'un luminaire à détecteur de mouvement pour la commande d'un luminaire standard

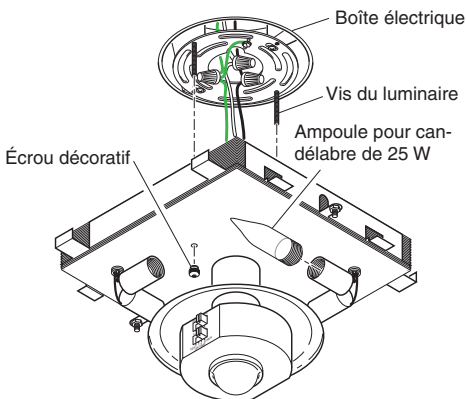


**Raccordement d'un luminaire à détecteur de mouvement pour la commande d'un autre luminaire à détecteur de mouvement**

Il est aussi possible de raccorder ensemble deux luminaires à détecteur de mouvement de façon que l'un ou l'autre entraîne l'allumage des appareils (système à double commande). Il est recommandé que les seulement gens avec l'expérience d'installation électrique tentent cette configuration. Avant d'entreprendre ce type de câblage, veuillez contacter notre Service à la clientèle (voir *Service Technique*). **Si le raccordement d'un système à double commande n'est pas effectué correctement, cela risque de détruire les deux luminaires et d'annuler la garantie.**

**INSTALLATION DU SOCLE DU LUMINAIRE SUR LA BOÎTE ÉLECTRIQUE**

1. Repoussez les fils à l'intérieur de la boîte électrique.
2. Faites glisser le socle du luminaire sur les vis fixées au support, puis serrez fermement les écrous décoratifs de façon qu'ils s'appuient sur le socle.
3. Installez quatre ampoules pour candélabre (**d'une puissance maximum de 25 W chacune**).
4. Consultez la section ESSAIS avant d'installer le couvercle.
5. Une fois les commutateurs réglés et les essais terminés, installez le couvercle au moyen des deux écrous décoratifs.

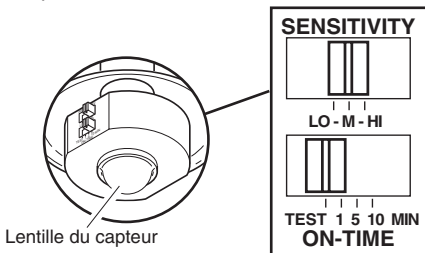


**ESSAIS**

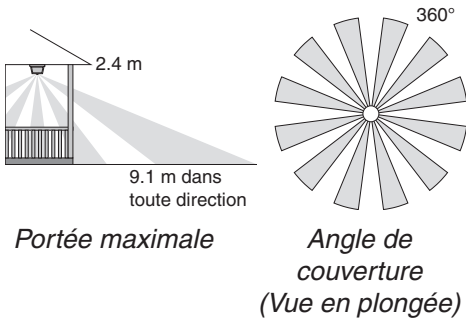
1. **Mettre en circuit le disjoncteur et l'interrupteur d'éclairage.**

*Note* : Le capteur doit se réchauffer 1 1/2 minute avant de pouvoir détecter le mouvement. Lorsque l'appareil est mis en circuit, attendre 1 1/2 minute.

2. Placez le commutateur SENSITIVITY à la position M et le commutateur ON-TIME à la position TEST.

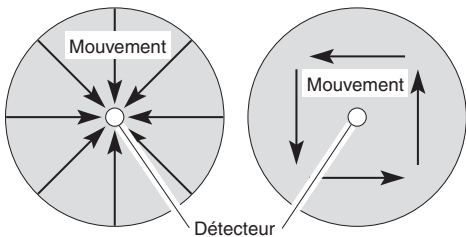


3. Marcher dans la zone de couverture et noter à quel endroit l'éclairage se déclenche. En mode TEST, l'éclairage s'allume pendant 5 secondes seulement avant de s'éteindre.
4. Réglez la SENSIBILITÉ pour augmenter ou réduire la portée du détecteur, au besoin. Une trop grande sensibilité peut entraîner des déclenchements intempestifs attribuables à la présence de source de chaleur dans la zone de couverture (consultez la section *Réglage de la zone de couverture* ou *Guide de Dépannage*).
5. Réglez, à votre goût, le ON-TIME de fonctionnement du luminaire après détection du mouvement (1, 5 ou 10 minutes).



\* Sans le protecteur de lentille.

Le capteur est moins sensible aux mouvements des objets qui se dirigent vers lui qu'aux mouvements des objets qui traversent la zone de couverture.

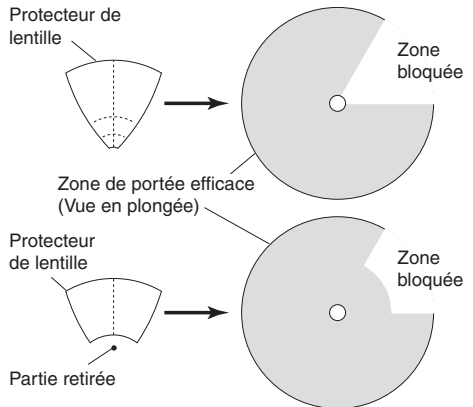


## RÉGLAGE DE LA ZONE DE COUVERTURE

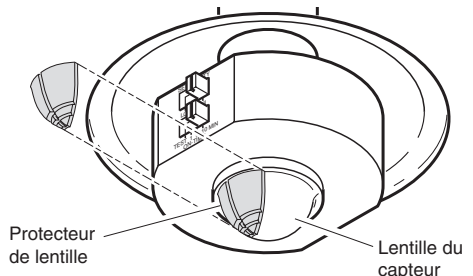
Le capteur de ce détecteur décèle les mouvements en raison du passage de la chaleur (chaleur corporelle) dans la zone de couverture. Cependant, vous trouverez ci-dessous des exemples d'objets qui produisent de la chaleur et qui, par conséquent, pourraient entraîner le déclenchement de l'appareil :

- Eaux de piscine
- Climatiser
- Sortie de séchoir à linge
- Animaux en cage
- Événement de chauffage
- Circulation automobile

Si vous croyez qu'une telle source de chaleur entraîne le déclenchement du luminaire et que vous n'arrivez pas à régler le problème en réduisant la sensibilité du capteur, vous pouvez installer un protecteur de lentille (fourmi). Le protecteur de lentille en plastique est formé de 6 sections. Chaque section réduit l'angle de couverture d'environ 30°. De plus, il est possible d'enlever la pointe de chaque section pour modifier la portée efficace du capteur.



1. Séparez le nombre de sections dont vous avez besoin pour cacher la zone de couverture.
2. Découpez la quantité de ruban-mousse nécessaire pour coller le protecteur sur la lentille du capteur.
3. Retirez la pellicule protectrice d'un côté du ruban-mousse, puis collez le ruban à l'intérieur du protecteur de lentille.
4. Retirez la pellicule protectrice de l'autre côté du ruban-mousse, puis collez-le sur le capteur de mouvement.



5. Faites un nouvel essai pour vous assurer que la source de chaleur ne cause plus de problème.

**Note :** Pour déterminer le nombre de sections de protecteur dont vous avez besoin, appliquez les sections une à la fois. Vous pouvez toujours rajouter des sections au besoin.

## FICHE TECHNIQUE

Portée .....	Jusqu'à 9,1 m [varie selon la température ambiante].
Angle de détection .....	360°
Charge électrique .....	Jusqu'à 100W maximum Tungstène à incandescence [maximum de 25 W par support].
Type d'ampoule .....	Culot de candélabre, Type B, 25 W maximum
Capacité du détecteur .....	Jusqu'à 500 W (4,2 A) maximum Tungstène à incandescence
Courant requis .....	120 V c.a., 60 Hz
Modes de fonctionnement .....	TEST, AUTO et MAUNEL
Minuterie de fonctionnement .....	1, 5 ou 10 minutes

HeathCo LLC se réserve le droit d'abandonner tout produit et d'en changer les spécifications, en tout temps et sans contracter quelque obligation que ce soit quant à l'incorporation de nouvelles caractéristiques aux produits déjà vendus.

## GUIDE DE DÉPANNAGE

SYMPTÔME	CAUSE POSSIBLE
<b>La lampe ne s'allume pas.</b>	<ol style="list-style-type: none"> <li>1. L'interrupteur d'éclairage est en position hors circuit.</li> <li>2. Les ampoules sont lâches ou grillées.</li> <li>3. Le fusible du circuit a sauté ou le disjoncteur est en position hors circuit.</li> <li>4. La fonction de mise hors circuit à la lumière du jour est engagée. <i>(Révérifier quand il fait nuit).</i></li> <li>5. Mauvais câblage, s'il s'agit d'une nouvelle installation.</li> </ol>
<b>La lampe s'allume le jour.</b>	<ol style="list-style-type: none"> <li>1. Le capteur peut être installé dans un endroit relativement sombre.</li> <li>2. Capteur en mode Test. (Placer l'interrupteur ON-TIME à 1, 5 ou 10 minutes).</li> </ol>
<b>La lampe s'allume sans raison apparente.</b>	<ol style="list-style-type: none"> <li>1. Le capteur détecte peut-être de petits animaux ou la circulation automobile. <i>(Réduisez la portée).</i></li> <li>2. Le réglage de portée est trop élevé. <i>(Réduisez la portée).</i></li> </ol>

SYMPTÔME	CAUSE POSSIBLE
<b>La lampe reste allumées continuellement.</b>	<ol style="list-style-type: none"> <li>1. La zone de couverture comprend une source de chaleur : évier, sortie de séchoir à linge ou surface brillante qui reflète la chaleur. <i>(Installez une section de protecteur sur la lentille du capteur, dans la direction de la source de chaleur.)</i></li> <li>2. Le capteur est en mode Manuel <i>(faites-la passer au mode Auto).</i></li> <li>3. Le réglage de portée est trop élevé. <i>(Réduisez la portée).</i></li> </ol>
<b>La lampe cli-gnote.</b>	<ol style="list-style-type: none"> <li>1. La chaleur qui est réfléchiée par d'autres objets peut affecter la commande d'éclairage. <i>(Réduisez la portée).</i></li> <li>2. Le capteur est en mode TEST. <i>(En mode TEST, l'éclairage demeure allumé seulement pendant 5 secondes.)</i></li> </ol>
<b>L'éclairage ne demeure pas allumé en mode Manuel.</b>	<ol style="list-style-type: none"> <li>1. Un grand objet de couleur pâle se trouve à proximité et reflète la lumière, ce qui déclenche la fonction d'arrêt. Évitez de diriger d'autres lumières sur le capteur.</li> </ol>

Ce dispositif est conforme à la partie numéro 15 des règlements de la FCC. Son fonctionnement est soumis aux deux conditions suivantes : (1) cet appareil ne doit pas causer d'interférences nuisibles et (2) cet appareil doit accepter toute interférence reçue, y compris les interférences qui peuvent perturber son fonctionnement.

CAN ICES-3 (B)/NMB-3(B)

## SERVICE TECHNIQUE

**Veillez faire le 1 800 858-8501 (service en anglais seulement) pour obtenir de l'aide avant de retourner l'article au magasin.**

En cas de problème, suivez ce guide. Vous pouvez aussi visiter notre site Web à [www.hzsupport.com](http://www.hzsupport.com). Si le problème persiste, composez\* le **1 800 858-8501** (service en anglais seulement), entre 8 h 00 et 17 h 00, HNC, du lundi au vendredi. Vous pouvez aussi écrire au :

HeathCo LLC

P.O. Box 90045

Bowling Green, KY 42102-9045

ATTN: Technical Service (Service technique)

\* Lors d'un appel au service technique, veillez avoir les renseignements suivants à portée de main : numéro du modèle, date d'achat et endroit de l'achat.

**Aucune pièce de rechange n'est disponible pour ce produit.**

**Veillez conserver le reçu portant la date d'achat; vous en aurez besoin pour toutes vos demandes liées à la garantie.**

### GARANTIE LIMITÉE DE 2 ANS

Il s'agit d'une « Garantie limitée » qui vous confère des droits juridiques spécifiques. Vous pouvez également jouir d'autres droits, variables d'une province à l'autre.

Pendant une période de 2 ans à compter de la date d'achat, toute anomalie de fonctionnement imputable à un vice de matériau ou de main-d'oeuvre sera corrigée gratuitement.

**Exclusions de la garantie** - Réparations, réglage et calibrage dus à une mauvaise utilisation, un mauvais traitement ou à la négligence. Les ampoules, les piles et des autres articles non durables ne sont pas couverts par cette garantie. Le service non autorisé ou la modification du produit ou d'un ou l'autre de ses composants fournis invalidera totalement la présente garantie. Cette garantie n'inclut pas le remboursement pour le dérangement, l'installation, le réglage, la perte d'utilisation, le service non autorisé ou les frais d'expédition pour le renvoi de la marchandise.

La garantie ne couvre que les produits assemblés HeathCo LLC et ne s'étend pas aux autres équipements et composants que le client pourrait utiliser conjointement avec nos produits.

CETTE GARANTIE TIENT EXPRESSÉMENT LIEU DE TOUTES AUTRES GARANTIES, EXPLICITES OU IMPLICITES, Y COMPRIS DE TOUTE GARANTIE DE REPRÉSENTATION OU DE CONDITION DE CONVENANCE À LA COMMERCIALISATION OU À L'EFFET QUE LES PRODUITS CONVIENNENT À UN BUT OU À UNE UTILISATION PARTICULIÈRE, ET SPÉCIFIQUEMENT DE TOUS DOMMAGES SPÉCIAUX, DIRECTS, INDIRECTS OU SECONDAIRES.

LE REMPLACEMENT OU LA RÉPARATION CONSTITUENT LE SEUL RECOURS DU CLIENT ET HEATHCO LLC NE POURRA ÊTRE TENUE RESPONSABLE DE TOUS DOMMAGES SPÉCIAUX, DIRECTS, INDIRECTS OU SECONDAIRES, Y COMPRIS, SANS S'Y LIMITER, LES PERTES COMMERCIALES ET PERTES DE PROFIT, QU'ELLES SOIENT PRÉVISIBLES OU NON. Certaines provinces n'autorisent pas l'exclusion ou la limitation des dommages indirects ou secondaires, et la limitation ou l'exclusion ci-dessus pourrait ne pas s'appliquer à vous. **Veillez conserver le reçu portant la date d'achat; vous en aurez besoin pour toutes vos demandes liées à la garantie.**





# **Heath<sup>®</sup>Zenith**

**Purchase Information**  
**Información de la compra**  
**Renseignements d'achat**

**Model #:** \_\_\_\_\_

**Nº de modelo / Nº de modèle**

**Date of Purchase:** \_\_\_\_\_

**Fecha de compra / Date d'achat**

**Staple Purchase Receipt Here**  
**Engrape aquí el recibo de compra**  
**Agrafez le reçu d'achat ici**

**PLEASE KEEP YOUR DATED SALES RECEIPT,  
IT IS REQUIRED FOR ALL WARRANTY REQUESTS.**

**POR FAVOR GUARDE SU RECIBO DE VENTA FECHADO; SE LO  
REQUIERE PARA CUALQUIER SOLICITUD DE GARANTÍA.**

**VEUILLEZ CONSERVER LE REÇU PORTANT LA DATE D'ACHAT;  
VOUS EN AUREZ BESOIN POUR TOUTES VOS DEMANDES  
LIÉES À LA GARANTIE.**