

Motion Activated LIGHTING CONTROLS

Heath/Zenith

SPECIFICATION SHEET

Model # **SL-6113-WH**



**CFL
&
LED
Compatible**

Available Color: White (SL-6113-WH)

Features

- CFL and LED compatible
- Slide switch selectable OFF, ON, and AUTO
- Fixed on-time – 5 minutes
- Works with motors up to 1/8 hp

Suggested Applications

- Bathroom
- Bedroom
- Hallway
- Kitchen
- Den / Living Room
- Workshop

Mode Selection Switch

This switch allows you to select one of three modes of operation: OFF, AUTO, or ON.

OFF: Lights stay off.

AUTO: Lights automatically come on when motion is detected.

ON: Lights stay on continuously.

Dimensions

W: 1.66"

D: 1.72"

H: 4.07"

Fits a standard 2-3/4" depth junction box.

Fits "wide" front switch plates with 1-5/16" x 2-5/8" opening.

Warranty

- 1 Year Warranty

SPECIFICATIONS

Power Supply

- 120VAC, 60 Hz

Type

- Single Pole

Wires

- AWG#18 (UL Recognized)

Maximum Load

- Up to 500 Watts Incandescent
- Up to 400 Watts Fluorescent
- Up to 1/8 hp Motor Load

Minimum Load

- 2 Watts

Temperature

- +55° F to +85° F

Detection Range

- Up to 20 Feet

Detection Angle

- 110° motion detection angle



JOB #

JOB NAME

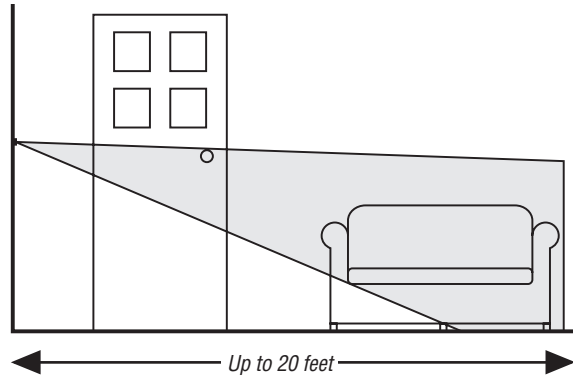
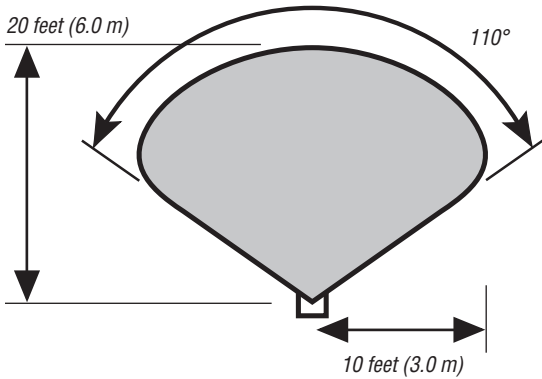
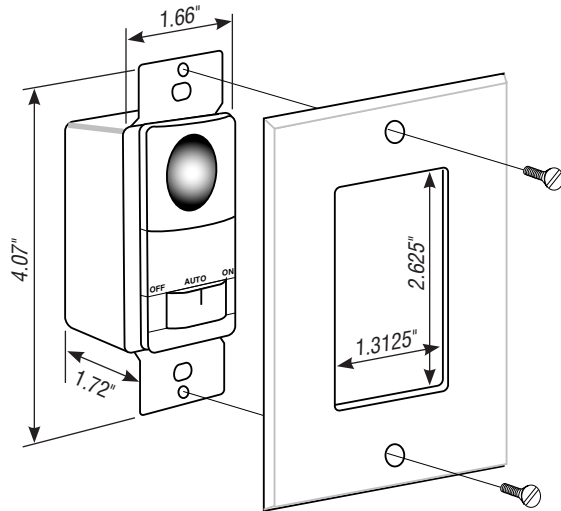
HeathCo[™]

2445 Nashville Road
P.O. Box 90045
Bowling Green, KY 42102-9045

Tech Service (800) 858-8501
Sales (270) 846-8400
Fax (270) 846-8501

www.heath-zenith.com

USAGE & COVERAGE



WIRING

WARNING: Turn power off at the circuit breaker before wiring.

