

Dated receipt required for warranty replacement.

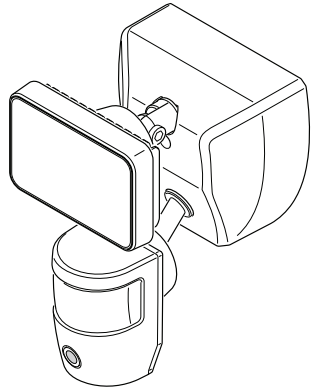
FEATURES

- 1080p HD Video
- 180° Motion Sensor
- Energy Saving LED

UNPACKING

Be sure to remove all contents from packaging and verify all items are present before assembling this light fixture. This package includes the following items:

- Security Light
- Owner's Manual
- SECUR360 App Quick Start Guide
- Mounting Hardware



HARDWARE INCLUDED

Note: Six mounting bracket screws are included. The installation will only require two. Discard the unused mounting bracket screws after installation.



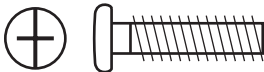
Plastic plug



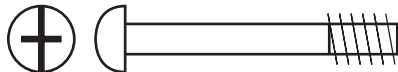
#6 Mounting Bracket
Screw (x2)



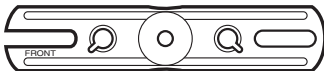
#8 Mounting Bracket
Screw (x2)



Mounting Bolt



Mounting Bolt (Pre-Installed in Light Fixture)



Mounting Bracket



Mini Screwdriver

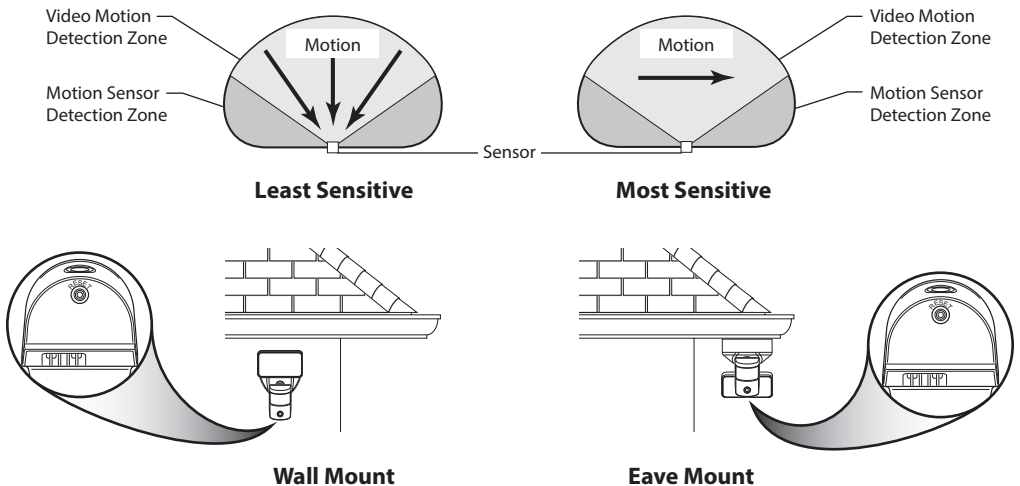
IMPORTANT SAFETY AND INSTALLATION INFORMATION

Before installing security light, read all instructions carefully and keep owner's manual for future reference.

- **WARNING:** To prevent electric shock, ensure that the power is disconnected before installation.
- **WARNING:** Risk of fire. Keep the lamp head at least 2 in. from combustible materials.
- **WARNING:** Shock hazard. For eave mounting, the center of the junction box must be located at least 4 1/2" (11.5 cm) from the outside edge of the eave.
- **CAUTION:** To avoid water damage and the risk of electrical shock, the motion sensor RESET button must be facing the ground when the installation is complete.
- **CAUTION:** Keep the lamp head 30° below horizontal to avoid water damage and electrical shock.
- **CAUTION:** Burn hazard. Allow the light fixture to cool before touching.
- **NOTICE:** Do not connect this light fixture to a dimmer switch or timer.
- **NOTICE:** 2.4GHz wi-fi router required.
- This light fixture requires 120-volts AC.
- This light fixture must be properly grounded.
- Some electrical codes require installation by a qualified electrician.
- This fixture is designed for outdoor installation and should be mounted to a wall or eaves.
- To achieve best results, this fixture should be mounted 8 feet (2.4 meters) above the ground. *Note:* If fixture is mounted higher than 8 ft. (2.4 meters), aiming the sensor down will reduce coverage distance.

The motion sensor on this light fixture detects "motion" by the movement of heat across the coverage area. The motion sensor is more sensitive to the movement of heat moving across the coverage area and less sensitive to the movement of heat directly towards it.

The video camera on this light fixture has a 110° detection zone within the motion sensor's detection area. The light and the camera may not detect motion at the same time.



Note: Light fixture and sensor should be mounted as shown above when installed (depending upon type of installation).

INSTALLATION

⚠ WARNING: Turn power off at circuit breaker or fuse. Place tape over circuit breaker switch and verify power is off at the fixture.

This fixture comes with an “Easy Install” mounting plate. It is pre-assembled on the fixture for shipping.

1. Unscrew the large mounting bolt connecting the light fixture to the mounting plate and remove the mounting plate (see Figure 1). The mounting bolt is designed to stay in the light fixture.
2. Install the mounting bracket with the stamped word “FRONT” facing away from the junction box (see Figure 2). Use the mounting bracket screws that best fit the junction box.
3. Route the junction box wires through the hole in the mounting plate (see Figure 3).
4. Place the mounting plate against the junction box (see Figure 3).
 - Wall Mounted – The “UP” arrow must point upward
 - Eave Mounted – The “UP” arrow must point toward the building
5. Insert the small mounting bolt through the mounting plate hole located below the threaded hole. Thread the bolt into the center hole of the mounting bracket (see Figure 3). Tighten bolt securely.

WIRING

Insert the junction box wires into the side of the terminal block and around the ground screw (see Figure 4). Tighten terminal blocks screws and ground screw to secure wires.

- White to “N (White)”
- Black to “L (Black)”
- Bare or green ground wire to GND (ground) screw.

FINAL ASSEMBLY

1. Double check that all wiring connections are securely connected.
2. Align the bottom edge of the light fixture with the bottom edge of the mounting plate. Tilt the light fixture toward the mounting plate, making sure the light fixture is centered on the mounting plate.

IMPORTANT: The two pins on the rear of the light fixture must insert into the terminal block for the light to work.

3. Tighten the mounting bolt securely being careful not to overtighten (see Figure 5).

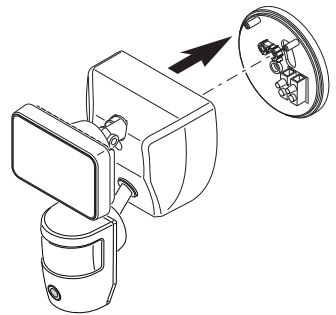


Figure 1

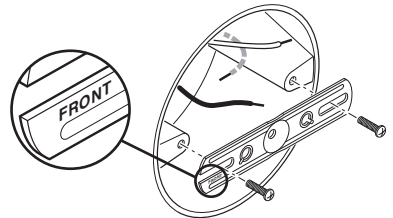


Figure 2

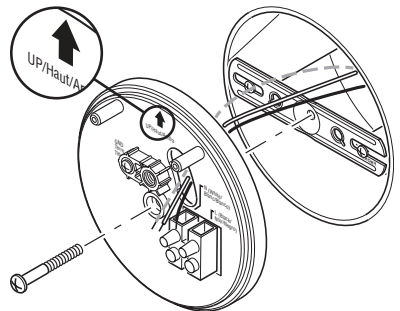


Figure 3

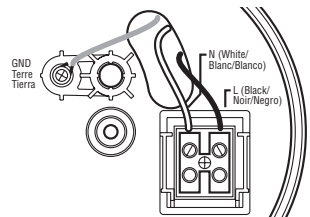





Figure 4

IMPORTANT:

- If wall mounted, make sure the fixture is mounted with the sensor below the lamp head.
 - If eave mounted, mount the fixture with sensor facing away from the house wall. Rotate the sensor so the RESET button (see Figure 8) faces the ground.
4. Push the plastic plug firmly into the mounting bolt hole on the light fixture (see Figure 5).
 5. Caulk around mounting plate and mounting surface with silicone weather sealant (see Figure 6).

TESTING AND ADJUSTMENTS

CAUTION: To avoid water damage and risk of electrical shock, rotate the motion sensor so the RESET button faces the ground when the installation is complete.

1. Turn on the circuit breaker and light switch.
Note: The motion sensor has a 1 minute warm up period before it will detect motion. When first turned on wait for the red LED indicator to start blinking slowly (1 minute).
2. Go to the App StoreSM and search for the “SECUR360” app or Google PlayTM and search for “HeathZenith” and download the SECUR360 app. See the enclosed instruction sheet, “Connecting to your new SECUR360 device”, for more details.
3. Once step 2 is complete, open the SECUR360 app and log into the account.
4. **IMPORTANT:** This light has two detection zones – the motion sensing detection zone and the camera detection zone. Use the live video from step 4 and the motion sensor to set up your light and camera.
5. Click on the home screen icon  > click on the light > click “Light” icon  > click “Light Setting”  > click “Test”.
6. Click on the back arrow “<” in the upper left of the screen to view a live video feed.
7. Walk through the coverage area noting where you are when the lights turn on. Also, the LED indicator behind the motion sensor lens will glow blue when motion is detected (see Figure 7).
Note: The blue LED will turn off 30 seconds after all motion has stopped.
8. If needed, gently grasp the motion sensor and move it from side to side or up and down to the best position to pick up motion and to view the desired area using the camera.
9. If needed, gently grasp the lamp head and move it from side to side or up and down to adjust the light coverage area.

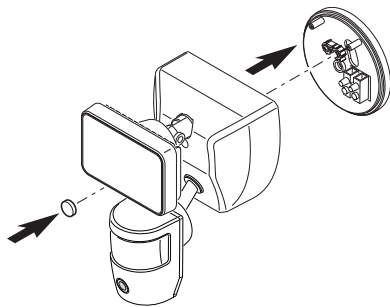


Figure 5

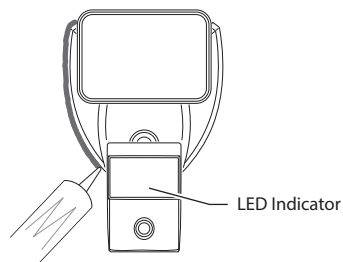


Figure 6

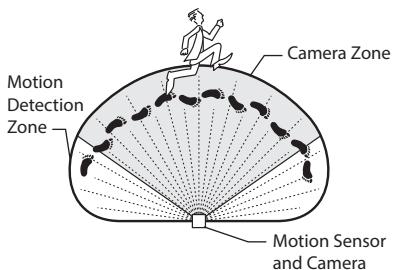


Figure 7

10. When testing is complete, use the app to set the controls for the light fixture.

LED Indicator

- **RED + Solid:** Light is warming up – Stays in this mode until the light is ready.
- **RED + flashing (1 second ON / 1 second OFF):** Light is in wi-fi connection mode.
- **BLUE + flashing:** Light is connecting to the internet.
- **BLUE + (2 Minutes ON):** Light is connected to the internet.
- **BLUE:** When motion is detected, the LED will be ON until all motion has stopped for 30 seconds.

For additional information concerning this light or the SECUR360 app, visit www.heath-zenith.com/Secur360.

IMPORTANT CONSIDERATIONS

AVOID AIMING THE SENSOR AT:

- Below are examples of objects that might produce heat and may cause the motion sensor to trigger:
 - Pools of Water
 - Air Conditioners
 - Dryer Vents
 - Animals
 - Heating Vents
 - Automobile Traffic
- If you suspect that a heat source of this type is triggering the motion sensor, reduce the sensitivity.
- Areas where pets or traffic may trigger the motion sensor.
- Nearby large, light-colored objects reflecting light may trigger the shut-off feature. Do not point other lights at the motion sensor.

SEASONAL CHANGES:

The motion sensor works by sensing temperature changes across its field of view. The closer the surrounding temperature is to a person's body heat, the less sensitive the sensor will appear. The greater the temperature difference, the more sensitive the sensor will appear. Use the sensitivity control in the app to adjust the setting as the outside temperature changes for the different seasons. This is a normal part of the light sensor's operation.

DUALBRITE DURATION

“DualBrite” mode is a selectable feature within the app that turns the light on at a reduced (accent) level at dusk. When motion is detected, the light will increase to full bright for the amount of the “Full Brite Setting” (1, 5, or 20 minutes) then returns to “DualBrite” mode. The light will stay on at the reduced light level for the amount of time selected (Off, 3 hr., 6 hr., dusk-to-dawn) and then turn off completely. Once the DualBrite timer runs out, the light will turn ON only when motion is detected. Selecting OFF disables the DualBrite feature, however the motion sensing features will continue to work.

RESET BUTTON

This light can be reset to the original factory settings either by using the reset button on the bottom of the sensor or through the SECUR360 app. *Note:* After resetting the light, it may take up to 5 minutes for the light to be removed from the SECUR360 app.

- Reset Button (see Figure 8) – Use a paper clip to press the RESET button for 15 seconds to reset the light.

For additional information concerning this light or the SECUR360 app, visit www.heath-zenith.com/Secur360.

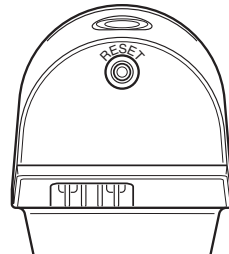


Figure 8

CARE AND CLEANING

- To prolong the original appearance, clean the light fixture with clear water and a soft, damp cloth only.
- Do not use paints, solvents, or other chemicals on this light fixture. They could cause a premature deterioration of the finish. This is not a defect in the finish and will not be covered by the warranty.
- Do not spray the light fixture with a hose or power washer.

SPECIFICATIONS

Motion Sensing Range.....	Up to 70 ft. (21 m) [varies with surrounding temperature].
Motion Sensing Angle	Up to 180°
Camera Viewing Angle	110°
Power Requirements.....	120 VAC, 60 Hz
Electrical load – LED.....	16 Watts
Offline Operating Modes	TEST and MOTION ACTIVATED
ON-Timer.....	1, 5, 20 minutes (Night Only)
Test Timer.....	5 Seconds (Day and Night)
Sensitivity	“Low”, “Medium”, “High”
LED Lumens	1200
LED color temperature	5000K

TROUBLESHOOTING GUIDE

SYMPTOM	POSSIBLE CAUSE	SOLUTION
The light will not come on.	<ol style="list-style-type: none"> 1. Light switch is turned off. 2. Fuse is blown or circuit breaker is turned off. 3. Daylight turn-off (photocell) is in effect. 4. The circuit wiring is incorrect, if this is a new installation. 5. The motion sensor is aimed in the wrong direction. 6. The outside air temperature is close to the same as a person's body heat. 7. The light has been turned “OFF” using the app. 	<ol style="list-style-type: none"> 1. Turn light switch on. 2. Replace fuse or turn circuit breaker on. 3. Recheck after dark. 4. Verify wiring is correct. 5. Re-aim the motion sensor to cover the desired area. 6. Increase the sensitivity setting. See <i>Seasonal Changes</i> on page 5 for more information. 7. Use the app to set the light to “AUTO” mode.
The light comes on during the day.	<ol style="list-style-type: none"> 1. The motion sensor may be installed in a relatively dark location. 2. The “Full Brite Setting” in the app is set to “TEST”. 	<ol style="list-style-type: none"> 1. The light fixture is operating normally under these circumstances. 2. Set the “Full Brite Setting” in the app to the 1, 5, or 20 minute setting.
The light comes on for no apparent reason.	<ol style="list-style-type: none"> 1. The motion sensor may be sensing small animals or automobile traffic. 2. Sensitivity is set too high. 3. The “DualBrite Duration” in the app is in the 3 hour, 6 hour, or dusk-to-dawn setting. 4. The outside temperature is much warmer or cooler than a person's body heat (summer or winter). 5. The light fixture is wired through a dimmer or timer. 	<ol style="list-style-type: none"> 1. Decrease the sensitivity setting or reposition the motion sensor. 2. Decrease the sensitivity setting. 3. The light fixture is operating normally under these circumstances. 4. Decrease the sensitivity setting. See <i>Seasonal Changes</i> on page 5 for more information. 5. Do not use a dimmer or timer to control the light fixture. Replace the dimmer or timer with a standard on/off wall switch.

TROUBLESHOOTING GUIDE

SYMPTOM	POSSIBLE CAUSE	SOLUTION
The lights turn off too late in Dusk-to-Dawn setting.	The light fixture may be installed in a relatively dark location.	Relocate the light fixture or use the 3 hour or 6 hour setting.
The lights stay on continuously.	<ol style="list-style-type: none"> 1. The motion sensor may be picking up a heat source like an air vent, dryer vent, or brightly painted, heat-reflective surface. 2. The light has been turned “ON” using the app. 3. The light fixture is wired through a dimmer or timer. 4. The light fixture is on the same circuit as a motor, transformer, or fluorescent bulb. 	<ol style="list-style-type: none"> 1. Decrease the sensitivity setting or reposition the motion sensor. 2. Use the app to set the light to “AUTO” or “OFF” mode. 3. Do not use a dimmer or timer to control the light fixture. Replace the dimmer or timer with a standard on/off wall switch. 4. Install the light fixture on a circuit without motors, transformers, or fluorescent bulbs.
The lights flash on and off.	<ol style="list-style-type: none"> 1. Heat or light from the lamp head may be turning the motion sensor on and off. 2. Heat is being reflected from other objects and may be turning the motion sensor on and off. 3. The “Full Brite Setting” is in “TEST” mode and warming up. 4. A utility company has installed a Smart Meter device close to the light fixture. 	<ol style="list-style-type: none"> 1. Reposition the lamp head away from the motion sensor. 2. Decrease the sensitivity setting or reposition the motion sensor. 3. While in TEST mode, the light only stays on for 5 seconds. Set the “Full Brite Setting” in the app to the 1, 5, or 20 minute setting. 4. The Smart Meter device can create an interference with motion sensing lights. Relocate the light fixture away from this type of meter.
The lights flash once then stay off in manual mode.	The motion sensor is detecting light from the lamp head.	Reposition the lamp head to keep the area below the motion sensor relatively dark.

TECHNICAL SERVICE

Please call 1-800-858-8501 (English speaking only) for assistance before returning product to store.

If you experience a problem, follow this guide. You may also want to visit our Web site at: www.hzsupport.com. If the problem persists, call* for assistance at 1-800-858-8501 (English speaking only), 8:00 AM to 5:00 PM CST (M-F). You may also write* to:

HeathCo LLC

P.O. Box 90045

Bowling Green, KY 42102-9045

ATTN: Technical Service

* If contacting Technical Service, please have the following information available: Model Number, Date of Purchase, and Place of Purchase.

No Service Parts Available for this Product

Please keep your dated sales receipt, it is required for all warranty requests.

ONE YEAR LIMITED WARRANTY

This is a "Limited Warranty" which gives you specific legal rights. You may also have other rights which vary from state to state or province to province.

For a period of 1 year from the date of purchase, any malfunction caused by factory defective parts or workmanship will be, at the sole option of HeathCo LLC, either repaired or replaced at no charge to you.

Not Covered - Repair service, adjustment and calibration due to misuse, abuse or negligence, light bulbs, batteries, and other expendable items are not covered by this warranty. Any damage to the light fixture resulting from the use of chemicals or a pressure washer machine are not covered by this warranty. Unauthorized service or modification of the product or of any furnished component will void this warranty in its entirety. This warranty does not include reimbursement for inconvenience, installation, setup time, loss of use, unauthorized service, or return shipping charges. HeathCo LLC reserves the right to discontinue products and to change specifications at any time without incurring any obligation to incorporate new features in products previously sold.

This warranty covers only HeathCo LLC assembled products and is not extended to other equipment and components that a customer uses in conjunction with our products.

THIS WARRANTY IS EXPRESSLY IN LIEU OF ALL OTHER WARRANTIES, EXPRESS OR IMPLIED, INCLUDING ANY WARRANTY, REPRESENTATION OR CONDITION OF MERCHANT ABILITY OR THAT THE PRODUCTS ARE FIT FOR ANY PARTICULAR PURPOSE OR USE, AND SPECIFICALLY IN LIEU OF ALL SPECIAL, INDIRECT, INCIDENTAL, OR CONSEQUENTIAL DAMAGES. REPAIR OR REPLACEMENT SHALL BE THE SOLE REMEDY OF THE CUSTOMER AND THERE SHALL BE NO LIABILITY ON THE PART OF HEATHCO LLC FOR ANY SPECIAL, INDIRECT, INCIDENTAL, OR CONSEQUENTIAL DAMAGES, INCLUDING BUT NOT LIMITED TO ANY LOSS OF BUSINESS OR PROFITS, WHETHER OR NOT FORESEEABLE. Some states or provinces do not allow the exclusion or limitation of incidental or consequential damages, so the above limitation or exclusion may not apply to you.

Please keep your dated sales receipt, it is required for all warranty requests.

Luz LED de seguridad y detectora de movimiento con video conectada

Modelo: 9311

Se necesita el recibo fechado para reemplazo bajo garantía.

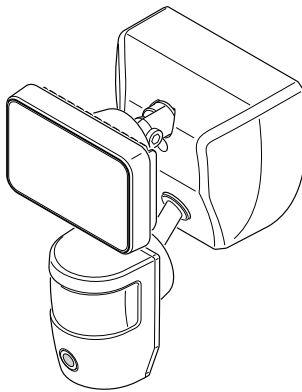
CARACTERÍSTICAS

- Video de AD (HD) de 1080p
- Detector de movimiento de 180 °
- LED de ahorro de energía

DESEMPAQUE

Asegúrese de retirar todo el contenido del empaque y verificar que todos los elementos estén incluidos antes de ensamblar este aparato de luz. Este paquete incluye los siguientes elementos:

- Luz de seguridad
- Manual del propietario
- Guía de inicio rápido de la aplicación SECUR360
- Ferrería de montaje



FERRETERÍA INCLUIDA

Nota: Se incluyen seis tornillos para el soporte de montaje. La instalación sólo requiere dos. Deseche los tornillos del soporte de montaje no utilizados luego de la instalación.



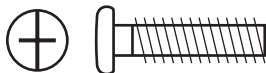
Enchufe de
plástico



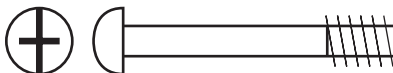
Tornillo n°6 de soporte
de montaje (x2)



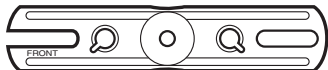
Tornillo n°8 de soporte
de montaje (x2)



Tornillo de montaje



Tornillo de montaje (Preinstalado en el aparato)



Soporte de montaje



Mini-destornillador

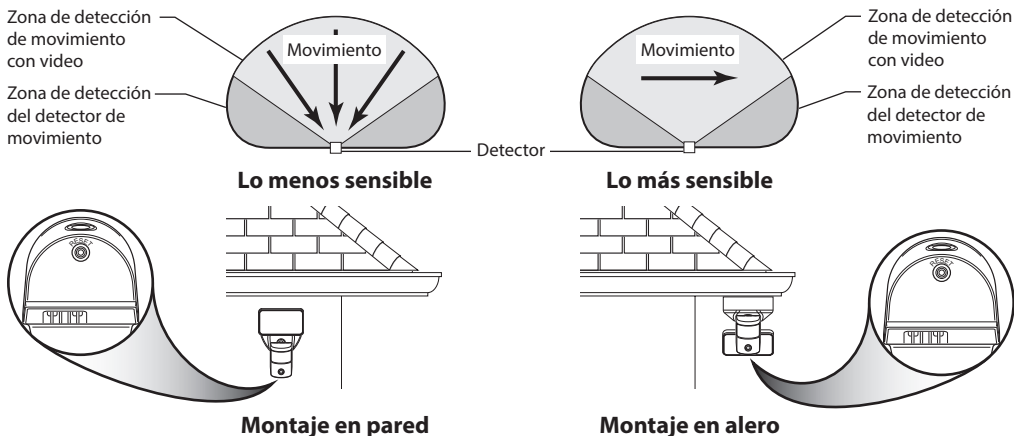
INFORMACIÓN IMPORTANTE DE SEGURIDAD E INSTALACIÓN

Antes de instalar la luz de seguridad, lea todas las instrucciones con cuidado y guarde el manual del propietario para futura referencia.

- **ADVERTENCIA:** Para evitar descargas eléctricas, asegúrese de que la alimentación esté desconectada antes de la instalación.
- **ADVERTENCIA:** Riesgo de incendio. Mantenga la bombilla alejadas al menos 2 pulgadas (51 mm) de materiales combustibles.
- **ADVERTENCIA:** Peligro de descarga eléctrica. Para montaje en aleros, el centro de la caja de conexiones debe estar ubicado al menos a 4 1/2 pulg. (11,5 cm) desde el borde exterior del alero.
- **PRECAUCIÓN:** Para evitar daños causados por el agua y el riesgo de descarga eléctrica, el botón RESET del detector de movimiento debe estar orientado hacia el suelo cuando se complete la instalación.
- **PRECAUCIÓN:** Mantenga los porta bombilla inclinados a 30° por debajo de la línea horizontal para evitar daños por el agua o una descarga eléctrica.
- **PRECAUCIÓN:** Peligro de quemaduras. Deje que el aparato de luz se enfríe antes de tocarlo.
- **AVISO:** No conecte este aparato de luz a un interruptor reductor de luz ni a un temporizador.
- **AVISO:** Se requiere un enrutador Wi-Fi de 2,4GHz.
- Este aparato de luz requiere 120 voltios CA.
- Este aparato de luz debe estar correctamente conectado a tierra.
- Algunas normativas eléctricas exigen que la instalación la realice un electricista calificado.
- Este aparato está diseñado para una instalación al aire libre y se lo debe montar en una pared o en aleros.
- Para lograr los mejores resultados, este aparato debe montarse a 8 pies (2,4 metros) por encima del suelo. *Nota:* Si el aparato está instalado a más de 8 pies (2,4 m), si se apunta el detector hacia abajo se reducirá la distancia de cobertura.

El detector de movimiento de este aparato de luz detecta “movimiento” debido al movimiento del calor a través del área de cobertura. El detector de movimiento es más sensible a la circulación del calor que se mueve a través del área de cobertura y menos sensible a la circulación del calor que va directamente hacia él.

La cámara de video de esta lámpara tiene una zona de detección de 110° dentro del área de detección del detector de movimiento. Es posible que la luz y la cámara no detecten movimiento al mismo tiempo.



Nota: La lámpara y el sensor debe montarse como se indica arriba, una vez instalado (según el tipo de instalación).

INSTALACIÓN

⚠️ ADVERTENCIA: Desconecte la energía en el fusible o cortacircuitos. Coloque cinta encima del interruptor de cortacircuitos y verifique que la energía está apagada en la luminaria.

Este dispositivo viene con una placa de montaje “Easy Install” (conexión rápida). Está pre-instalado en el aparato para ser enviado.

1. Desenrosque el tornillo grande de montaje que conecta la lámpara a la placa de montaje y retire la placa de montaje (ver Figura 1). El tornillo de montaje está diseñado para permanecer en la lámpara.
2. Instale el soporte de montaje con la palabra estampada “FRONT” de espaldas a la caja de conexiones (vea la Figura 2). Use los tornillos del soporte de montaje que mejor se adapten a la caja de conexiones.
3. Pase los cables de la caja de conexiones por el agujero que está en la placa de montaje (vea la Figura 3).
4. Coloque la placa de montaje contra la caja de conexiones (vea la Figura 3).
 - Montaje en pared - La flecha “UP” debe apuntar hacia arriba.
 - Montaje en alero - La flecha “UP” debe apuntar hacia el edificio.
5. Inserte el tornillo pequeño de montaje por el agujero de la placa de montaje situado debajo del agujero roscado. Enrosque el perno en el orificio central del soporte de montaje (ver Figura 3). Apriete el perno de forma segura.

CABLEADO

Inserte los cables de la caja de conexiones en el lado del bloque de terminales y al rededor del tornillo de tierra (ver la Figura 4). Apriete los tornillos del bloque de terminales y el tornillo de tierra para asegurar los cables.

- Blanco con “N (blanco)”
- Negro con “L (negro)”
- Alambre desnudo o verde con el tornillo GND (tierra)

MONTAJE FINAL

1. Asegúrese de que todas las conexiones de los cables estén bien conectadas.
2. Alinee el borde inferior de la lámpara con el borde inferior de la placa de montaje. Incline la lámpara hacia la placa de montaje, asegurándose de que la lámpara esté centrada en la placa de montaje.

¡IMPORTANTE! Las dos clavijas de la parte posterior de la lámpara se deben insertar en el bloque de terminales para que la luz funcione.

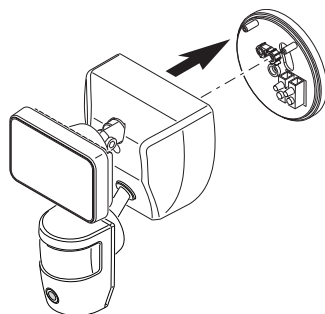


Figura 1

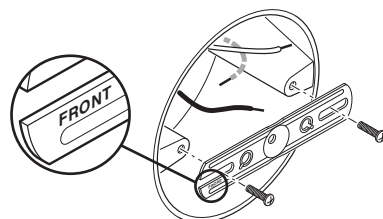


Figura 2

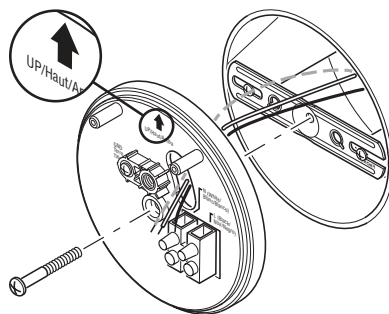


Figura 3

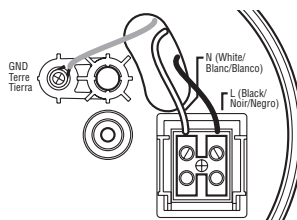


Figura 4

3. Apriete bien el tornillo de montaje teniendo cuidado de no apretarlo demasiado (vea la Figura 5).

IMPORTANTE:

- Si lo monta en la pared, asegúrese de que el aparato esté montado con el detector debajo de la cabeza de la lámpara.
 - Si lo monta en un alero, monte el aparato con detector de espaldas a la pared de la casa. Gire el detector de modo que el botón RESET (vea la Figura 8) mire hacia el suelo.
4. Empuje el tapón de plástico firmemente en el orificio del perno de montaje de la lámpara (vea la Figura 5).
 5. Calafatee alrededor de la placa de montaje y de la superficie de montaje con un sellador de silicona (vea la Figura 6).

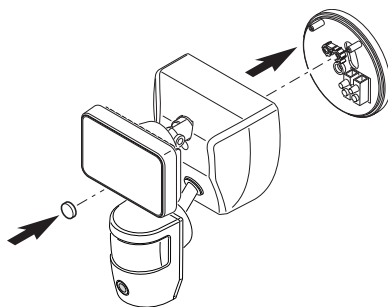


Figura 5

PRUEBAS Y AJUSTES



PRECAUCIÓN: Para evitar daños causados por el agua y el riesgo de descarga eléctrica, gire el detector de movimiento de modo que el botón RESET mire hacia el suelo cuando se complete la instalación.

1. Conecte el disyuntor y el interruptor de la luz.
Nota: El detector de movimiento tiene un período de 1 minuto de calentamiento antes de detectar movimiento. Cuando lo encienda por primera vez, espere a que el indicador LED rojo comience a parpadear lentamente (1 minuto).
2. Vaya a la App StoreSM y busque la aplicación “SECUR360” o Google PlayTM y busque “HeathZenith” y descargue la aplicación “SECUR360”. Consulte la hoja de instrucciones adjunta, “Cómo conectarse a su nuevo dispositivo SECUR360”, para obtener más detalles.
3. Una vez que se complete el paso 2, abra la aplicación SECUR360 e inicie sesión en la cuenta.
4. **IMPORTANTE:** Esta luz tiene dos zonas de detección: la zona de detección de movimiento y la zona de detección con cámara. Use el video en vivo del paso 4 y el sensor de movimiento para configurar la luz y la cámara.
5. Haga clic en el icono de la pantalla de inicio > Haga clic en la luz > haga clic en el icono “Luz” > Haga clic en “Configuración de la luz” > Haga clic en “Prueba”.
6. Haga clic en la flecha hacia atrás “<” en la esquina superior izquierda de la pantalla para ver un video en vivo.
7. Camine por el área de cobertura observando dónde se encuentra cuando se encienden las luces. Además, el indicador LED detrás de la lente del detector de movimiento se iluminará en azul cuando detecte movimiento (vea la Figura 7). *Nota:* el LED azul se

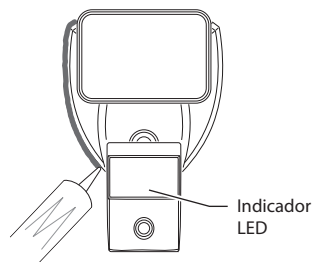


Figura 6

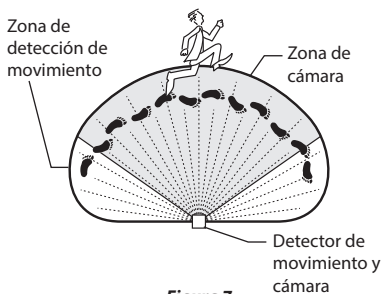


Figura 7

apagará 30 segundos después de que se haya detenido todo movimiento.

- Si es necesario, agarre suavemente el detector de movimiento y muévalo de lado a lado o hacia arriba y hacia abajo a la mejor posición para detectar el movimiento y ver el área deseada usando la cámara.
- Si es necesario, agarre suavemente el cabezal de la lámpara y muévalo de lado a lado o hacia arriba y hacia abajo para ajustar el área de cobertura de la luz.
- Cuando finalice la prueba, use la aplicación para configurar los controles de la lámpara.

Indicador LED

- ROJO + Sólido:** la luz se está calentando; permanece en esta modalidad hasta que la luz esté lista.
- ROJO + parpadeante (1 segundo ENCENDIDO / 1 segundo APAGADO):** la luz está en modalidad de conexión wi-fi.
- AZUL + intermitente:** la luz se está conectando al internet.
- AZUL + (2 minutos ENCENDIDO):** la luz está conectada al Internet.
- AZUL:** cuando se detecta movimiento, el LED estará ENCENDIDO hasta que todo movimiento se haya detenido por 30 segundos.

Para obtener información adicional sobre esta luz o la aplicación SECUR360, visite www.heath-zenith.com/Secur360.

CONSIDERACIONES IMPORTANTES

EVITE APUNTAR EL DETECTOR A:

- A continuación hay ejemplos de objetos que pueden producir calor y pueden causar que el detector de movimiento se active:
 - Pozos de agua
 - Acondicionadores de aire
 - Ventosas de la secadora
 - Animales
 - Ventosas de calefacción
 - Tráfico de carros
- Si sospecha que una fuente de calor de este tipo está activando el detector de movimiento, reduzca la sensibilidad.
- Zonas donde animales domésticos o el tráfico puedan activar el detector de movimiento.
- Los objetos grandes cercanos y de colores resplandecientes que reflejan la luz del día pueden hacer que el detector se apague. No apunte otras luces al detector de movimiento.

CAMBIOS DE TEMPORADA:

El detector de movimiento funciona detectando los cambios

de temperatura a través de su campo de visión. Cuanto más cerca esté la temperatura ambiente al calor del cuerpo de una persona, el detector aparecerá menos sensible. Cuanto mayor sea la diferencia de temperatura, mayor aparecerá la sensibilidad del detector. Use el control de sensibilidad en la aplicación para ajustar la configuración a medida que cambia la temperatura exterior para las diferentes estaciones. Esta es una parte normal del funcionamiento del detector de luz.

DURACIÓN DUALBRITE

La modalidad “DualBrite” es una función seleccionable dentro de la aplicación que enciende la luz a un nivel (acento) reducido al anochecer. Cuando detecta movimiento, la luz aumentará a brillantez total de acuerdo a la cantidad de “Configuración de brillantez total” (1, 5 o 20 minutos) y luego regresará a la modalidad “DualBrite”. La luz permanecerá encendida a nivel de luz reducida de acuerdo al tiempo seleccionado (apagado, 3 hr., 6 hr., dusk-to-dawn) y luego se apagará por completo. Una vez que el temporizador DualBrite se agote, la luz se encenderá sólo cuando detecta movimiento. Si selecciona OFF desactiva la función DualBrite, sin embargo, las características de detección de movimiento seguirán funcionando.

BOTÓN DE REINICIO

Esta luz se puede restablecer a la configuración original de fábrica usando el botón de reinicio en la parte inferior del detector o usando la aplicación SECUR360. *Nota:* Después de restablecer la luz, la luz puede tomar hasta 5 minutos en eliminarse de la aplicación SECUR360.

- Botón de reinicio (vea la Figura 8): use un clip para papel para presionar el botón DE REINICIO por 15 segundos para reiniciar la luz.

Para obtener información adicional sobre esta luz o la aplicación SECUR360, visite www.heath-zenith.com/Secur360.

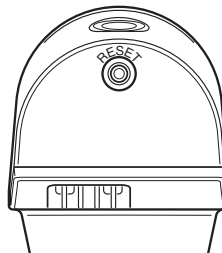


Figura 8

CUIDADO Y LIMPIEZA

- Para prolongar la apariencia original, limpie la lámpara solo con agua limpia y un paño suave y húmedo.
- No use pinturas, solventes ni otros químicos en este aparato de luz. Podrían ser la causa de una prematura deterioración del acabado. Esto no es un defecto del acabado y no será cubierto por la garantía.
- No rocíe la lámpara con una manguera o lavadora a presión.
- Para limpiar la lente de la cámara, use solamente un paño seco de microfibra.

ESPECIFICACIONES

Rango de detección de movimiento.....	Hasta 21 m (varía con la temperatura circundante).
Ángulo de detección de movimiento	Hasta 180°
Ángulo de visión de la cámara	110°
Requisitos de Energía.....	120 VCA, 60 Hz
Carga eléctrica – DEL.....	16 Vatios
Modalidades de operación sin conexión	PRUEBA y ACTIVADO POR MOVIMIENTO
Temporizador de duración (del encendido) ..	1, 5 o 20 minutos (Solo nocturna)
Temporizador de prueba.....	5 segundos (Día y noche)
Alcance	“Bajo”, “Medio”, “Alto”
Lúmenes LED.....	1200
LED de temperatura de color.....	5000K

GUIA DE INVESTIGACION DE AVERIAS

SÍNTOMA	POSIBLE CAUSA	SOLUCIÓN
La luz no se enciende.	<ol style="list-style-type: none"> 1. El interruptor de la luz está apagado. 2. El fusible está quemado o el disyuntor está desconectado. 3. El apagado de la luz diurna (fotocélula) está vigente. 4. El cableado del circuito es incorrecto, si esta es una instalación nueva. 5. El detector de movimiento está enfocando a la dirección incorrecta. 6. La temperatura del aire exterior está cercana al calor corporal de una persona. 7. La luz se ha APAGADO con la aplicación. 	<ol style="list-style-type: none"> 1. Encienda el interruptor de la luz. 2. Cambie el fusible o conecte el disyuntor. 3. Vuelva a revisar al amanecer. 4. Verifique que el cableado esté correcto. 5. Vuelva a enfocar el detector de movimiento para que cubra el área deseada. 6. Aumente el ajuste de sensibilidad. Vea <i>Cambios de Temporada</i> en la página 13 para más información. 7. Use la aplicación para configurar la luz a la modalida “AUTO”.
La luz se enciende durante el día.	<ol style="list-style-type: none"> 1. El detector de movimiento puede estar instalado en un sitio relativamente oscuro. 2. El “Tiempo de brillantez total” en la aplicación está configurado en “PRUEBA”. 	<ol style="list-style-type: none"> 1. El aparato de luz está operando normalmente bajo estas circunstancias. 2. Establezca el “Tiempo de brillantez total” en la aplicación en la configuración de 1, 5 o 20 minutos.

GUIA DE INVESTIGACION DE AVERIAS

SÍNTOMA	POSIBLE CAUSA	SOLUCIÓN
La luz se enciende sin razón aparente.	<ol style="list-style-type: none"> 1. El detector de movimiento puede estar detectando pequeños animales o tráfico automotor. 2. La Sensibilidad es demasiado alta. 3. La "Duración DualBrite" en la aplicación está en la configuración de 3 horas, 6 horas o desde el anochecer hasta el amanecer. 4. La temperatura exterior está más caliente o más fría que el calor corporal de una persona (verano o invierno). 5. El aparato de luz está cableado a través de un reductor de luz o de un temporizador. 	<ol style="list-style-type: none"> 1. Reduzca la sensibilidad o vuelva a colocar el detector de movimiento. 2. Reduzca la sensibilidad. 3. El aparato de luz está operando normalmente bajo estas circunstancias. 4. Reduzca la sensibilidad. Vea <i>Cambios de Temporada</i> en la página 13 para más información. 5. No use un reductor de luz o un temporizador para controlar el aparato de luz. Cambie el reductor de luz o el temporizador por un interruptor de pared estándar de encendido/apagado.
Las luces se apagan demasiado tarde en la calibración crepuscular-amanecer.	El aparato de luz puede estar instalado en un sitio relativamente oscuro.	Vuelva a ubicar el aparato de luz o utilice la calibración 3 horas o 6 horas.
Las luces permanecen encendidas constantemente.	<ol style="list-style-type: none"> 1. El detector de movimiento puede estar absorbiendo calor de una fuente de calor como una ventosa de aire, una secadora de aire, o una superficie pintada con colores brillantes y que refleja el calor. 2. La luz se ha "ENCENDIDO" usando la aplicación. 3. El aparato de luz está cableado a través de un reductor de luz o de un temporizador. 4. El aparato de luz está en el mismo circuito que un motor, transformador o tubo fluorescente. 	<ol style="list-style-type: none"> 1. Reduzca la sensibilidad o vuelva a colocar el detector de movimiento. 2. Use la aplicación para configurar la luz en la modalidad "AUTO" u "OFF". 3. No use un reductor de luz o un temporizador para controlar el aparato de luz. Cambie el reductor de luz o el temporizador por un interruptor de pared estándar de encendido/apagado. 4. Instale el aparato de luz en un circuito sin motores, transformadores o tubos fluorescentes.
Las luces se encienden y se apagan.	<ol style="list-style-type: none"> 1. El calor o la luz de la bombilla puede estar encendiendo y apagando al detector de movimiento. 2. El calor reflejado desde otro objeto puede estar encendiendo y apagando al detector de movimiento. 3. La "Configuración de brillantez total" está en la modalidad "TEST" ("PRUEBA") y se está calentando. 4. Una empresa de servicios públicos ha instalado un dispositivo de medidor inteligente cerca de la lámpara. 	<ol style="list-style-type: none"> 1. Vuelva a colocar el cabezal de la lámpara lejos del detector de movimiento. 2. Reduzca la sensibilidad o vuelva a colocar el detector de movimiento. 3. Mientras está en la fase PRUEBA, la luz sólo queda encendida por 5 segundos. Ponga la "Configuración de brillantez total" en la aplicación en la configuración de 1, 5 o 20 minutos. 4. El dispositivo Smart Meter puede crear una interferencia con las luces de detección de movimiento. Reubique la lámpara lejos de este tipo de medidor.
Las luces destellan una vez y luego permanecen apagadas en la fase manual.	El detector de movimiento está detectando luz de lo cabezal de la lámpara.	Vuelva a colocar el cabezal de la lámpara para mantener el área por debajo del detector de movimiento relativamente oscura.

SERVICIO TÉCNICO

Favor de llamar al 1-800-858-8501 (sólo para hablar en inglés) para pedir ayuda antes de devolver el producto a la tienda.

Si tiene algún problema, siga esta guía. Usted puede también visitar nuestro sitio Web: www.hzsupport.com. Si el problema continúa, llame al **1-800-858-8501** (sólo para hablar en inglés), de 8:00 AM a 5:00 PM CST (L-V). Usted puede también escribir a:

HeathCo LLC

P.O. Box 90045

Bowling Green, KY 42102-9045

ATTN: Technical Service (Servicio Técnico)

* Si se llama al Servicio Técnico, por favor tener lista la siguiente información: Número de Modelo, Fecha de compra y Lugar de compra.

No hay piezas de servicio disponibles para este producto.

Por favor guarde su recibo de venta fechado; se lo requiere para cualquier solicitud de garantía.

GARANTÍA LIMITADA A 1 AÑO

Esta es una "Garantía Limitada" que le da a Ud. derechos legales específicos. Usted puede también tener otros derechos que varían de estado a estado o de provincia a provincia.

Por un período de 1 año a partir de la fecha de compra, cualquier mal funcionamiento causado por piezas defectuosas o por mano de obra será reparado o reemplazado sin cargo alguno, a criterio exclusivo de HeathCo LLC.

No cubierto - Servicio de reparación, ajuste y calibración debido al mal uso, abuso o negligencia, bombillas, baterías, u otras partes fungibles no están cubiertas por esta garantía. Cualquier daño en el aparato de luz como resultado de usar productos químicos o lavadora a presión no están cubiertos por esta garantía. Los Servicios no autorizados o modificaciones del producto o de cualquier componente que se provee invalidarán esta garantía en su totalidad. Esta garantía no incluye reembolso por inconveniencia, instalación, tiempo de instalación, pérdida de uso, servicio no autorizado, o costos de transporte de retorno. HeathCo LLC se reserva el derecho de discontinuar productos y de cambiar especificaciones a cualquier momento sin incurrir en ninguna obligación de tener que incorporar nuevas características en los productos vendidos con anterioridad.

Esta garantía cubre solamente los productos ensamblados por HeathCo LLC y no se extiende a otros equipos o componentes que el consumidor usa junto con nuestros productos.

ESTA GARANTÍA ESTÁ EXPRESAMENTE EN LUGAR DE OTRAS GARANTÍAS, EXPRESADAS O SOBREENTENDIDAS, INCLUYENDO CUALQUIER GARANTÍA, REPRESENTACIÓN O CONDICIÓN DE COMERCIABILIDAD O QUE LOS PRODUCTOS SE ADAPTEN PARA CUALQUIER PROPÓSITO O USO EN PARTICULAR, Y ESPECIFICAMENTE EN LUGAR DE TODOS LOS DAÑOS ESPECIALES, INDIRECTOS, INCIDENTALES Y CONSECUENTES.

LA REPARACIÓN O EL REMPLAZO DEBERÍA SER LA ÚNICA SOLUCIÓN DEL CLIENTE Y NO HABRÁ RESPONSABILIDAD POR PARTE DE HEATHCO LLC POR CUALQUIER DAÑO ESPECIAL, INDIRECTO, INCIDENTAL O CONSECUENTE, INCLUIDOS PERO NO LIMITADOS A CUALQUIER PÉRDIDA DE NEGOCIO O GANACIAS SEAN O NO PREVISIBLES. Algunos estados o provincias no permiten la exclusión o limitación de daños incidentales o consecuentes, de modo que la limitación o exclusión arriba indicada puede que no se aplique a Ud.

Por favor guarde su recibo de venta fechado; se lo requiere para cualquier solicitud de garantía.

Lumière de sécurité DEL connectée avec détecteur de mouvement vidéo

Modèle : 9311

Reçu daté nécessaire pour remplacement sous garantie.

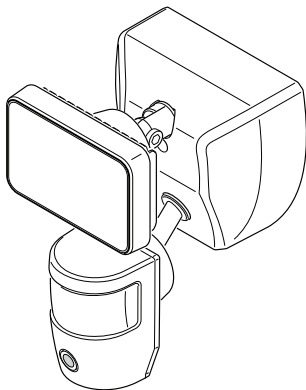
CARACTÉRISTIQUES

- Vidéo HD 1080p
- Détecteur de mouvement 180°
- DEL économique en énergie

DÉBALLAGE

Retirez tout le contenu de l'emballage et assurez-vous d'avoir en main tous les éléments avant de débiter l'assemblage. L'emballage contient les éléments suivants :

- Éclairage de sécurité
- Guide du propriétaire
- Guide de démarrage rapide de l'application SECUR360
- Ferrures de montage



QUINCAILLERIE FOURNIE

Remarque : Les six vis du support de montage sont fournies. L'installation n'en exige que deux. Jeter les vis du support de montage non utilisée une fois l'installation terminée.



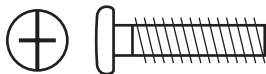
Bouchon de
plastique



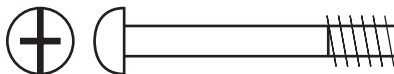
Vis n° 6 du support
de montage (x2)



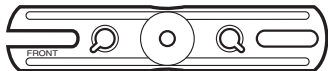
Vis n° 8 du support
de montage (x2)



Boulon de montage



Boulon de montage (Pré-installé dans le luminaire)



Support de montage



Petit tournevis

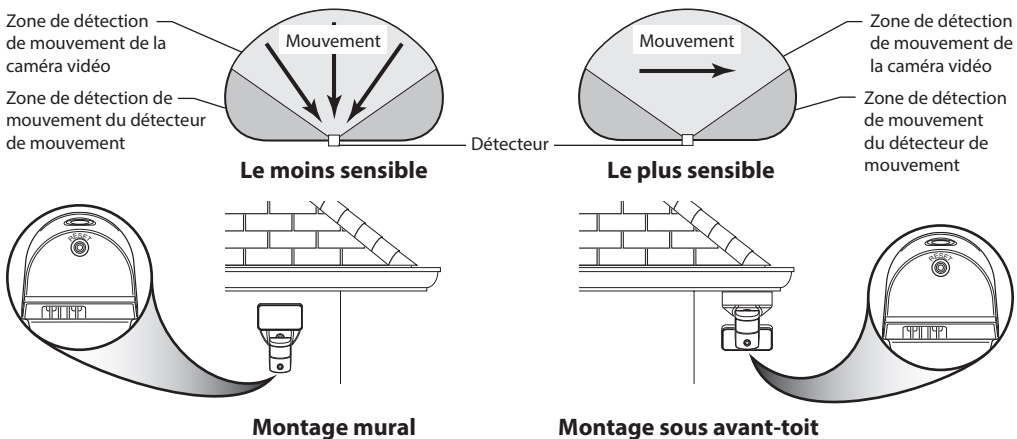
IMPORTANTS RENSEIGNEMENTS DE SÉCURITÉ ET D'INSTALLATION

Avant d'installer ce luminaire de sécurité, lisez avec soin toutes les directives et conservez le guide du propriétaire aux fins de référence.

- **AVERTISSEMENT :** Pour éviter les chocs électriques, assurez-vous que l'alimentation est coupée avant de commencer l'installation.
- **AVERTISSEMENT :** Risque d'incendie. Conservez au moins 2 po (51 mm) entre la lampe et toute matière combustible.
- **AVERTISSEMENT :** Risque de choc électrique Pour l'installation sous l'avant-toit, le centre de la boîte de jonction doit être situé à au moins 4 1/2 po (11,5 cm) du bord extérieur de l'avant-toit.
- **ATTENTION :** Pour éviter les dégâts d'eau et le risque de choc électrique, le bouton RESET (Réinitialisation) du détecteur de mouvement doit être tourné vers le sol une fois l'installation terminée.
- **ATTENTION :** Conservez le luminaire à un angle de 30 ° sous l'horizontale pour éviter les dommages par l'eau et les chocs.
- **ATTENTION :** Danger de brûlure. Laissez refroidir le luminaire avant d'y toucher.
- **AVIS :** Ne raccordez pas ce luminaire à un interrupteur gradateur ni à une minuterie.
- **AVIS :** Routeur Wi-Fi, 2,4 GHz requis.
- Ce luminaire exige une alimentation de 120 volts c.a.
- Ce luminaire doit être correctement mis à la terre.
- Dans certaines localités, le code de l'électricité exige que l'installation soit confiée à un électricien qualifié.
- Ce luminaire est conçu pour une installation extérieure; il devrait être fixé à un mur ou à l'avant-toit.
- Pour des résultats optimaux, ce luminaire doit être installé à 8 pieds (2,4 mètres) du sol. *Remarque :* Lorsque le luminaire est installé à une hauteur supérieure à 8 pi (2,4 m), le fait de diriger le détecteur vers le bas réduit la portée de la couverture.

Le détecteur de mouvement de ce luminaire détecte les « mouvement » grâce à un déplacement de chaleur dans la zone de couverture. Le détecteur de mouvement est plus sensible aux déplacements de chaleur à travers la zone de couverture qu'aux déplacements de chaleur directement dans sa direction.

La caméra vidéo de cet appareil d'éclairage comporte une zone de détection de 110° à l'intérieur de la zone de détection du détecteur de mouvement. La lumière et la caméra vidéo peuvent ne pas détecter les mouvements en même temps.



Remarque : Le luminaire et capteur devraient être montés comme montré ci-dessus au cours de l'installation (selon le type d'installation.)

INSTALLATION

MISE EN GARDE : Coupez l'alimentation au disjoncteur ou au fusible. Mettez le ruban gommé sur l'interrupteur du disjoncteur et vérifiez que l'alimentation est coupée au montage.

Ce luminaire comporte une plaque de montage « Easy Install » (à branchement rapide). Cette dernière est fixée au luminaire pour l'expédition.

1. Dévissez le gros boulon de fixation reliant le luminaire à la plaque de montage et enlevez la plaque de montage (voir la Figure 1). Le boulon de montage est conçu pour demeurer dans le luminaire.
2. Installez le support de montage de sorte que le mot « FRONT » soit à l'opposé de la boîte de jonction (voir la Figure 2). Utilisez les vis du support de montage qui conviennent le mieux à la boîte de jonction.
3. Acheminez les fils de la boîte de jonction à travers le trou de la plaque de montage (voir la Figure 3).
4. Placez la plaque de montage contre la boîte de jonction (voir la Figure 3).
 - Montage au mur - La flèche « UP » doit pointer vers le haut
 - Montage sous l'avant-toit - La flèche « UP » doit pointer vers le bâtiment
5. Insérez le petit boulon de fixation à travers le trou de la plaque de montage situé en-dessous du trou taraudé. Vissez ce boulon dans le trou central du support de montage (voir la Figure 3). Serrez solidement le boulon.

CÂBLAGE

Insérez les fils de la boîte de jonction dans le côté du bornier et autour de la vis de mise à la terre (voir la Figure 4). Serrez les vis du bornier ainsi que la vis de mise à la terre pour retenir les fils.

- Blanc avec « N (blanc) »
- Noir avec « L (noir) »
- Fil dénudé ou vert avec la vis GND (mise à la terre)

ASSEMBLAGE FINAL

1. Assurez-vous que tous les fils sont solidement branchés.
2. Alignez le bord inférieur du luminaire au bord inférieur de la plaque de montage. Inclinez le luminaire vers la plaque de montage, tout en vous assurant que le luminaire est centré sur la plaque de montage.

IMPORTANT : Les deux goupilles à l'arrière du luminaire doivent s'insérer dans le bornier pour que l'éclairage fonctionne.

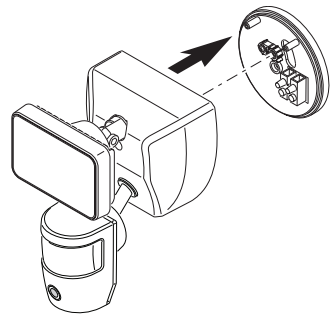


Figure 1

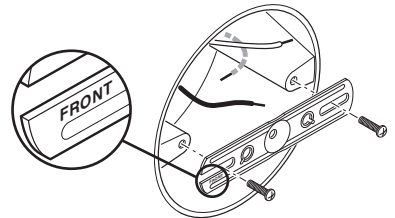


Figure 2

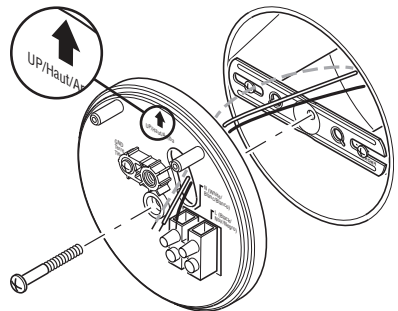


Figure 3

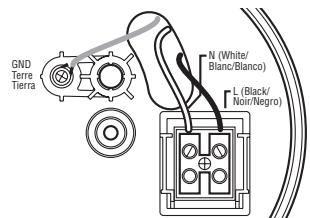


Figure 4

3. Serrez solidement le boulon de montage, en évitant toutefois de trop le serrer (voir la Figure 5).

IMPORTANT :

- Pour une installation au mur, assurez-vous que le capteur est situé sous le projecteur.
 - Pour une installation sous l'avant-toit, assurez-vous que le capteur est situé à l'opposé du mur du bâtiment. Faites pivoter le détecteur de mouvement de sorte que le bouton RESET (Réinitialisation) (voir la Figure 8) soit face au sol.
4. Enfoncez fermement le bouchon de plastique dans le trou du boulon de montage du luminaire (voir la Figure 5).
 5. Appliquez un scellant d'étanchéité entre la plaque de montage et la surface de montage (voir la Figure 6).

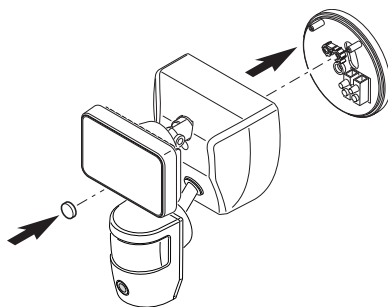



Figure 5

ESSAIS ET RÉGLAGES

⚠ ATTENTION : Pour éviter les dégâts d'eau et le risque de choc électrique, faites pivoter le détecteur de mouvement de sorte que le bouton RESET (Réinitialisation) soit face au sol une fois l'installation terminée.


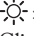
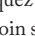
1. Ré-enclenchez le disjoncteur puis ouvrez l'interrupteur.

Remarque : Le détecteur de mouvement exige un réchauffement d'une minute avant de détecter les mouvements. Lorsque l'appareil est mis en marche pour la première fois, attendez que le voyant DEL rouge commence à clignoter lentement (1 minute).

2. Rendez-vous sur l'App StoreSM et recherchez l'application « SECUR360 », ou rendez-vous sur Google PlayTM et recherchez « HeathZenith ». Téléchargez ensuite l'application SECUR360 . Reportez-vous à la feuille d'instruction ci-jointe, « Connexion à votre nouvel appareil SECUR360 », pour de plus amples de détails.

3. Une fois l'étape 2 terminée, ouvrez l'application SECUR360 et connectez-vous à votre compte.

4. **IMPORTANT :** cette lumière comporte deux zones de détection ; la zone de détection du détecteur de mouvement et la zone de détection de la caméra vidéo. Utilisez la vidéo en direct de l'étape 4 et le détecteur de mouvement pour configurer votre lumière et votre caméra vidéo.

5. Cliquez sur l'icône de l'écran d'accueil  > Cliquez sur la lumière > cliquez sur l'icône « Light » (Lumière)  > Cliquez sur « Light Setting » (Réglage de la lumière)  > Cliquez sur « Test ».

6. Cliquez sur la flèche de retour « < » dans le coin supérieur gauche de l'écran pour afficher un flux vidéo en direct.

7. Parcourez la zone de détection en notant où vous trouvez lorsque les lumières s'allument. Le voyant DEL situé derrière la lentille

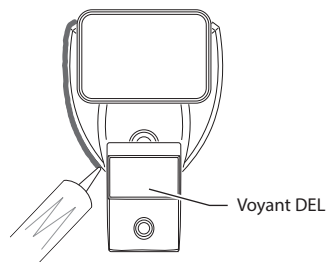


Figure 6

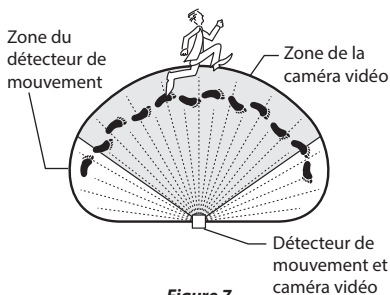


Figure 7

du détecteur de mouvement deviendra également bleu lorsqu'un mouvement est détecté (voir la Figure 7).
Remarque: le voyant DEL bleu s'éteint une fois qu'aucun mouvement n'a été détecté pendant 30 secondes.

8. Si nécessaire, saisissez délicatement le détecteur de mouvement et déplacez-le d'un côté à l'autre ou de haut en bas de façon à le mettre dans la position la mieux adaptée à détecter des mouvements et visualiser la zone souhaitée avec la caméra vidéo.
9. Si nécessaire, saisissez délicatement la tête d'éclairage et déplacez-la d'un côté à l'autre ou de haut en bas pour ajuster la zone d'éclairage.
10. Une fois le test terminé, utilisez l'application pour définir les commandes de l'appareil d'éclairage.

Voyant DEL

- **ROUGE + fixe** : la lumière s'initialise - Reste dans ce mode jusqu'à ce que la lumière soit prête.
- **ROUGE + clignotant (1 seconde ON / 1 seconde OFF)** : La lumière est en mode connexion Wi-Fi.
- **BLEU + clignotant** : la lumière est en train de se connecter à Internet.
- **BLEU + (Allumé 2 minutes)** : la lumière est connectée à l'Internet.
- **BLEU** : lorsqu'un mouvement est détecté, le voyant DEL reste allumé jusqu'à ce qu'il n'y ait aucun mouvement de détecté pendant 30 secondes.

Pour plus d'informations sur cette lumière ou l'application SECUR360, visitez le site www.heath-zenith.com/Secur360.

RENSEIGNEMENTS IMPORTANTS

ÉVITEZ D'ORIENTER LE DÉTECTEUR VERS...

- Voici des exemples d'objets qui pourraient dégager de la chaleur, de sorte que le détecteur se déclenche :
 - Bassin d'eau
 - Appareil de climatisation
 - Sortie de sècheuse
 - Animaux
 - Sortie de chauffage
 - Circulation automobile
- Si vous soupçonnez l'une de ces sources de chaleur d'entraîner le déclenchement du détecteur de mouvement, réduisez la sensibilité.
- Zones où des animaux de compagnie ou de la circulation pourrait déclencher le détecteur de mouvement.
- Sur de grands objets clairs à proximité qui réfléchissent la lumière du jour et risquent de déclencher le dispositif d'arrêt. Évitez de diriger d'autres luminaires vers le détecteur de mouvement.

MODIFICATIONS SAISONNIÈRES :

Le détecteur de mouvement fonctionne en décelant les changements de température dans son champ de vision. Plus la température ambiante se rapproche de celle du corps humain, moins le capteur semblera sensible. Plus la différence de température sera importante, plus le capteur semblera sensible. Utilisez la commande de sensibilité de l'application pour ajuster le réglage en fonction des changements de température extérieure pendant les différentes saisons. Cela fait partie du fonctionnement normal du capteur du luminaire.

DURÉE DU MODE « DUALBRITE »

Le mode d'éclairage à 2 niveaux « DualBrite » est une fonction sélectionnable au sein de l'application qui allume la lumière à un niveau faible (accentuation) à la nuit tombante. Lorsqu'un mouvement est détecté, la lumière passe à l'éclairage maximal « Full Brite » (1, 5 ou 20 minutes), puis repasse en mode « DualBrite ». L'éclairage demeure à intensité réduite pendant la période sélectionnée (Fermé, 3 hrs, 6 hrs, Soir au matin/Off, 3 hr., 6 hr., dusk-to-dawn), avant de s'éteindre complètement. Une fois la minuterie DualBrite écoulee, l'éclairage s'allume uniquement lorsqu'un mouvement est détecté. La sélection de l'option OFF désactive la fonction DualBrite, mais le détecteur de mouvement continue de fonctionner.

BOUTON DE RÉINITIALISATION

Cette lumière peut être réinitialisée aux paramètres d'usine par défaut à l'aide du bouton de réinitialisation situé en bas du détecteur, ou via l'application SECUR360. *Remarque :* après avoir réinitialisé la lumière, le retrait de la lumière de l'application SECUR360 pourrait prendre jusqu'à 5 minutes.

- Bouton de réinitialisation (voir la Figure 8) : utilisez un trombone et appuyez sur le bouton de réinitialisation pendant 15 secondes pour réinitialiser la lumière.

Pour de plus amples informations sur cette lumière ou l'application SECUR360, veuillez consulter le site www.heath-zenith.com/Secur360.

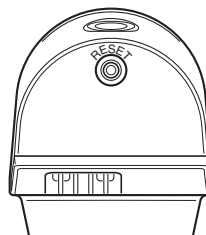


Figure 8

ENTRETIEN ET NETTOYAGE

- Pour prolonger l'apparence originale, nettoyez uniquement au moyen d'un chiffon doux trempé dans de l'eau.
- N'appliquez aucune peinture, solvant ou produit chimique sur ce luminaire. Cela pourrait causer une détérioration prématurée du fini. Cela ne constitue pas un défaut du fini, de sorte que ce n'est pas couvert par la garantie.
- Évitez de nettoyer le luminaire au moyen du boyau d'arrosage ou d'une laveuse à pression.

FICHE TECHNIQUE

Portée de détection de mouvement.....	Jusqu'à 21 m (70 pi) [Varie selon la température ambiante].
Angle de détection de mouvement	Jusqu'à 180°
Angle visuel de la caméra vidéo	110°
Courant requis	120 V c.a., 60 Hz
Charge électrique – DEL	16 Watts
Modes de fonctionnement hors ligne	ESSAI et DÉCL. PAR MOUV
Minuterie de fonctionnement.....	1, 5 ou 20 minutes (Nuit seulement)
Minuterie d'essai.....	5 secondes (Jour et nuit)
Portée	« Low » (Faible), « Medium » (Moyen), « High » (Élevé)
Puissance DEL.....	1200
Température de couleur de la DEL	5 000 K

GUIDE DE DÉPANNAGE

SYMPTÔME	CAUSE POSSIBLE	SOLUTION
L'éclairage ne s'allume pas.	<ol style="list-style-type: none">1. L'interrupteur est hors tension.2. Le fusible est grillé ou le disjoncteur est déclenché.3. La photocellule est en fonction.4. Le câblage du circuit est incorrect, s'il s'agit d'une nouvelle installation.5. Le détecteur de mouvement est orienté dans la mauvaise direction.6. La température de l'air extérieur est proche de la température corporelle d'une personne.7. La lumière a été éteinte (mise sur OFF) à l'aide de l'application.	<ol style="list-style-type: none">1. Placez l'interrupteur en position ON.2. Remplacez le fusible ou enclenchez le disjoncteur.3. Vérifiez de nouveau une fois la nuit tombée.4. Vérifiez le câblage.5. Réorientez le détecteur afin de couvrir la zone souhaitée.6. Augmenter le réglage de la sensibilité. Voir la section <i>Modifications Saisonnières</i> à la page 21 pour plus de détails.7. Utilisez l'application pour régler la lumière sur le mode « AUTO » (Automatique).
La lumière s'allume pendant la journée.	<ol style="list-style-type: none">1. Le détecteur de mouvement est installé dans un endroit relativement sombre.2. Le paramètre « Full Brite Setting » dans l'application est réglé sur « TEST ».	<ol style="list-style-type: none">1. Le luminaire fonctionne normalement dans ces circonstances.2. Réglez le paramètre « Full Brite Setting » dans l'application sur 1, 5 ou 20 minutes.

GUIDE DE DÉPANNAGE

SYMPTÔME	CAUSE POSSIBLE	SOLUTION
La lumière s'allume sans raison apparente.	<ol style="list-style-type: none"> 1. Le capteur détecte de petits animaux ou la circulation automobile. 2. Le réglage de sensibilité est trop élevé. 3. La durée pour le paramètre « DualBrite Duration » dans l'application peut être réglée à 3 heures, 6 heures ou du crépuscule à l'aube. 4. La température extérieure est de loin supérieure ou inférieure à la température corporelle d'une personne (été ou hiver). 5. Le luminaire est branché à un gradateur ou à une minuterie. 	<ol style="list-style-type: none"> 1. Réduisez la sensibilité ou réorientez le détecteur de mouvement. 2. Réduisez la sensibilité. 3. Le luminaire fonctionne normalement dans ces circonstances. 4. Réduisez la sensibilité. Voir la section <i>Modifications Saisonnières</i> à la page 21 pour plus de détails. 5. N'utilisez pas de gradateur ni de minuterie pour commander l'éclairage. Remplacez le gradateur ou la minuterie par un interrupteur mural standard.
L'éclairage s'éteint trop tard lorsqu'il est réglé à DUSK TO DAWN.	Le luminaire est installé dans un endroit relativement sombre.	Déplacez le luminaire ou utilisez le réglage 3 heures ou 6 heures.
L'éclairage demeure continuellement allumé.	<ol style="list-style-type: none"> 1. Le détecteur de mouvement capte une source de chaleur : événement, sortie de sècheuse ou surface brillante réfléchissant la chaleur. 2. La lumière a été allumée (mise sur ON) à l'aide de l'application. 3. Le luminaire est branché à un gradateur ou à une minuterie. 4. Le luminaire est branché au même circuit qu'un moteur, un transformateur ou un fluorescent. 	<ol style="list-style-type: none"> 1. Réduisez la sensibilité ou réorientez le détecteur de mouvement. 2. Utilisez l'application pour régler la lumière sur le mode « AUTO » ou « OFF ». 3. N'utilisez pas de gradateur ni de minuterie pour commander l'éclairage. Remplacez le gradateur ou la minuterie par un interrupteur mural standard. 4. Branchez le luminaire à un circuit ne comportant pas de moteur, de transformateur ni de fluorescent.
Les lumières clignotent.	<ol style="list-style-type: none"> 1. La chaleur ou la lumière de lampe active et désactive continuellement le détecteur de mouvement. 2. La chaleur est réfléchiée par des objets de sorte qu'elle active et désactive le détecteur de mouvement. 3. Le paramètre « Full Brite Setting » est en mode « TEST » et en cours d'initialisation. 4. Une société de services publics a installé un appareil de mesure intelligent près du luminaire. 	<ol style="list-style-type: none"> 1. Éloignez la lampe du détecteur de mouvement. 2. Réduisez la sensibilité ou réorientez le détecteur de mouvement. 3. En mode TEST, l'éclairage demeure allumé seulement pendant 5 secondes. Réglez le paramètre « Full Brite Setting » dans l'application sur 1, 5 ou 20 minutes. 4. Ce type d'appareil peut créer des interférences avec les luminaires à détecteur de mouvement. Éloignez le luminaire de ce type d'appareil de mesure.
En mode manuel, les lumières clignotent une fois, puis demeurent éteintes.	Le détecteur de mouvement capte la lumière de la lampe.	Repositionnez la lampe de sorte que la zone sous le détecteur de mouvement soit relativement sombre.

SERVICE TECHNIQUE

Veillez faire le 1 800 858-8501 (service en anglais seulement) pour obtenir de l'aide avant de retourner l'article au magasin.

En cas de problème, suivez ce guide. Vous pouvez aussi visiter notre site Web à www.hzsupport.com. Si le problème persiste, composez* le **1 800 858-8501** (service en anglais seulement), entre 8 h 00 et 17 h 00, HNC, du lundi au vendredi.

Vous pouvez aussi écrire au :

HeathCo LLC

P.O. Box 90045

Bowling Green, KY 42102-9045

ATTN: Technical Service (Service technique)

* Lors d'un appel au service technique, veuillez avoir les renseignements suivants à portée de main : numéro du modèle, date d'achat et endroit de l'achat.

Aucune pièce de rechange n'est disponible pour ce produit.

Veillez conserver le reçu portant la date d'achat; vous en aurez besoin pour toutes vos demandes liées à la garantie.

GARANTIE LIMITÉE DE 1 AN

Il s'agit d'une « Garantie limitée » qui vous confère des droits juridiques spécifiques. Vous pouvez également jouir d'autres droits, variables d'une province à l'autre.

Pendant une période de 1 an à compter de la date d'achat, tout dysfonctionnement causé par un défaut de pièce ou de main d'œuvre sera, à la seule discrétion de HeathCo LLC, gratuitement réparé ou l'appareil gratuitement remplacé.

Exclusions de la garantie - Réparations, réglage et calibrage dus à une mauvaise utilisation, un mauvais traitement ou à la négligence. Les ampoules, les piles et des autres articles non durables ne sont pas couverts par cette garantie. Les dommages causés au luminaire qui seraient attribuables à l'utilisation de produits chimiques ou d'une machine à laver à pression ne sont pas couverts par la garantie. Le service non autorisé ou la modification du produit ou d'un ou l'autre de ses composants fournira invalidera totalement la présente garantie. Cette garantie n'inclut pas le remboursement pour le dérangement, l'installation, le réglage, la perte d'utilisation, le service non autorisé ou les frais d'expédition pour le renvoi de la marchandise. HeathCo LLC se réserve le droit d'abandonner tout produit et d'en changer les spécifications, en tout temps et sans contracter quelque obligation que ce soit quant à l'incorporation de nouvelles caractéristiques aux produits déjà vendus.

La garantie ne couvre que les produits assemblés HeathCo LLC et ne s'étend pas aux autres équipements et composants que le client pourrait utiliser conjointement avec nos produits.

CETTE GARANTIE TIENNT EXPRESSÉMENT LIEU DE TOUTES AUTRES GARANTIES, EXPLICITES OU IMPLICITES, Y COMPRIS DE TOUTE GARANTIE DE REPRÉSENTATION OU DE CONDITION DE CONVENANCE À LA COMMERCIALISATION OU À L'EFFET QUE LES PRODUITS CONVIENNENT À UN BUT OU À UNE UTILISATION PARTICULIÈRE, ET SPÉCIFIQUEMENT DE TOUS DOMMAGES SPÉCIAUX, DIRECTS, INDIRECTS OU SECONDAIRES.

LE REMPLACEMENT OU LA RÉPARATION CONSTITUENT LE SEUL RECOURS DU CLIENT ET HEATHCO LLC NE POURRA ÊTRE TENUE RESPONSABLE DE TOUS DOMMAGES SPÉCIAUX, DIRECTS, INDIRECTS OU SECONDAIRES, Y COMPRIS, SANS S'Y LIMITER, LES PERTES COMMERCIALES ET PERTES DE PROFIT, QU'ELLES SOIENT PRÉVISIBLES OU NON. Certaines provinces n'autorisent pas l'exclusion ou la limitation des dommages indirects ou secondaires, et la limitation ou l'exclusion ci-dessus pourrait ne pas s'appliquer à vous.

Veillez conserver le reçu portant la date d'achat; vous en aurez besoin pour toutes vos demandes liées à la garantie.

This device complies with Part 15 of the FCC Rules. Operation is subject to the following two conditions: (1) this device may not cause harmful interference, and (2) this device must accept any interference received, including interference that may cause undesired operation.

Warning: Changes or modifications to this unit not expressly approved by the party responsible for compliance could void the user's authority to operate the equipment.

Note: This equipment has been tested and found to comply with the limits for a Class B digital device, pursuant to part 15 of the FCC Rules. These limits are designed to provide reasonable protection against harmful interference in a residential installation. This equipment generates, uses and can radiate radio frequency energy and, if not installed and used in accordance with the instructions, may cause harmful interference to radio communications. However, there is no guarantee that interference will not occur in a particular installation. If this equipment does cause harmful interference to radio or television reception, which can be determined by turning the equipment off and on, the user is encouraged to try to correct the interference by one or more of the following measures:

- Reorient or relocate the receiving antenna.
- Increase the separation between the equipment and receiver.
- Connect the equipment into an outlet on a circuit different from that to which the receiver is connected.
- Consult the dealer or an experienced radio/TV technician for help.

This device contains licence-exempt transmitter(s)/receiver(s) that comply with Innovation, Science and Economic Development Canada's licence-exempt RSS(s). Operation is subject to the following two conditions:

1. This device may not cause interference.
2. This device must accept any interference, including interference that may cause undesired operation of the device.

Este aparato cumple con la Parte 15 de las Reglas de la FCC. La operación está sujeta a las dos siguientes condiciones: (1) este aparato no puede causar interferencias perjudiciales y (2) este aparato debe aceptar cualquier interferencia recibida, incluyendo una interferencia que pueda causar un funcionamiento indeseado. Advertencia: los cambios o modificaciones hechas a esta unidad que no estén expresamente aprobados por la parte responsable del cumplimiento pueden anular la autoridad del usuario para operar el equipo.

Nota: Este equipo ha sido probado y se lo encontró que cumple con los límites para un dispositivo digital de Clase B, de acuerdo con la parte 15 de las Normas de la FCC. Estos límites están diseñados para proporcionar una protección razonable contra interferencias dañinas en una instalación residencial. Este equipo genera, usa y puede irradiar energía de radiofrecuencia y, si no se lo instala y usa de acuerdo con las instrucciones, puede causar interferencia dañina a las comunicaciones de radio. Sin embargo, no hay garantía de que la interferencia no ocurra en una instalación en particular. Si este equipo causa interferencia dañina a la recepción de radio o televisión, lo que se puede determinar apagando y encendiendo el equipo, se recomienda que el usuario intente corregir la interferencia mediante una o más de las siguientes medidas:

- Reoriente o reubique la antena receptora.
- Aumente la separación entre el equipo y el receptor.
- Conecte el equipo a un tomacorriente en un circuito diferente al que está conectado el receptor.
- Para recibir ayuda consulte con el distribuidor o con un técnico experto en radio / TV.

Este dispositivo contiene transmisores / receptores exentos de licencia que cumplen con los RSS exentos de licencia de Canadá de Innovación, Ciencia y Desarrollo Económico. Su funcionamiento está sujeto a las dos siguientes condiciones:

1. Este dispositivo no puede causar interferencia.
2. Este dispositivo debe aceptar cualquier interferencia, incluyendo la interferencia que pueda causar un funcionamiento indeseado del dispositivo.

Cet appareil est conforme aux exigences de la Partie 15 des Règles du FCC. Son utilisation est assujettie aux deux conditions suivantes : (1) cet appareil ne doit pas causer d'interférence nocive; (2) cet appareil doit accepter les interférences, y compris celles qui peuvent causer un fonctionnement non désiré.

Avertissement : Toute modification apportée à cet appareil sans l'approbation explicite de la partie responsable de la conformité pourrait annuler l'autorisation d'utiliser l'équipement.

Remarque : Cet appareil a été testé et déclaré conforme aux limites pour appareils numériques de classe B, selon la section 15 des règlements de la FCC. Ces limites sont destinées à assurer une protection raisonnable contre les interférences nuisibles dans une installation résidentielle. Cet appareil produit, utilise et peut émettre de l'énergie radio électrique et, s'il n'est pas installé et utilisé conformément aux présentes instructions, peut causer des interférences nuisibles aux communications radio. Il n'existe toutefois aucune garantie que de telles interférences ne se produiront pas dans une installation particulière. Si cet appareil cause des interférences nuisibles à la réception des signaux de radio ou de télévision, ce qui peut être déterminé en allumant et en éteignant l'appareil, on encourage l'utilisateur d'essayer de corriger ces interférences par l'un des moyens suivants :

- Réorienter ou repositionner l'antenne de réception.
- Augmenter la distance séparant l'appareil du récepteur.
- Brancher l'appareil sur un circuit électrique différent de celui où le récepteur est branché.
- Consulter le détaillant ou un technicien spécialisé en radio/télévision.

L'émetteur/récepteur exempt de licence contenu dans le présent appareil est conforme aux CNR d'Innovation, Sciences et Développement économique Canada applicables aux appareils radio exempts de licence. L'exploitation est autorisée aux deux conditions suivantes :

1. L'appareil ne doit pas produire de brouillage;
2. L'appareil doit accepter tout brouillage radioélectrique subi, même si le brouillage est susceptible d'en compromettre le fonctionnement.

FCC Responsible Party Name / Nombre de la partie responsable de la CFC / Nom de la partie responsable de la CFC : HeathCo LLC

Address / Dirección / Adresse : 2445 Nashville Road, Bowling Green, KY 42101 U.S.A.

Telephone Number / Número de teléfono / Numéro de téléphone: 800-858-8501

CAN ICES-005 (B)/NMB-005 (B)

NOTE / NOTA _____

NOTE / NOTA _____

HeathZenith

SECUR360™

CONNECTED · SECURITY



Purchase Information
Información de la compra
Renseignements d'achat

Model #: _____

Nº de modelo / Nº de modèle

Date of Purchase: _____

Fecha de compra / Date d'achat

Staple Purchase Receipt Here
Engrape aquí el recibo de compra
Agrafez le reçu d'achat ici

**PLEASE KEEP YOUR DATED SALES RECEIPT,
IT IS REQUIRED FOR ALL WARRANTY REQUESTS.**

**POR FAVOR GUARDE SU RECIBO DE VENTA FECHADO; SE LO
REQUIERE PARA CUALQUIER SOLICITUD DE GARANTÍA.**

**VEUILLEZ CONSERVER LE REÇU PORTANT LA DATE D'ACHAT;
VOUS EN AUREZ BESOIN POUR TOUTES VOS DEMANDES LIÉES
À LA GARANTIE.**